



A BETEK BRAND

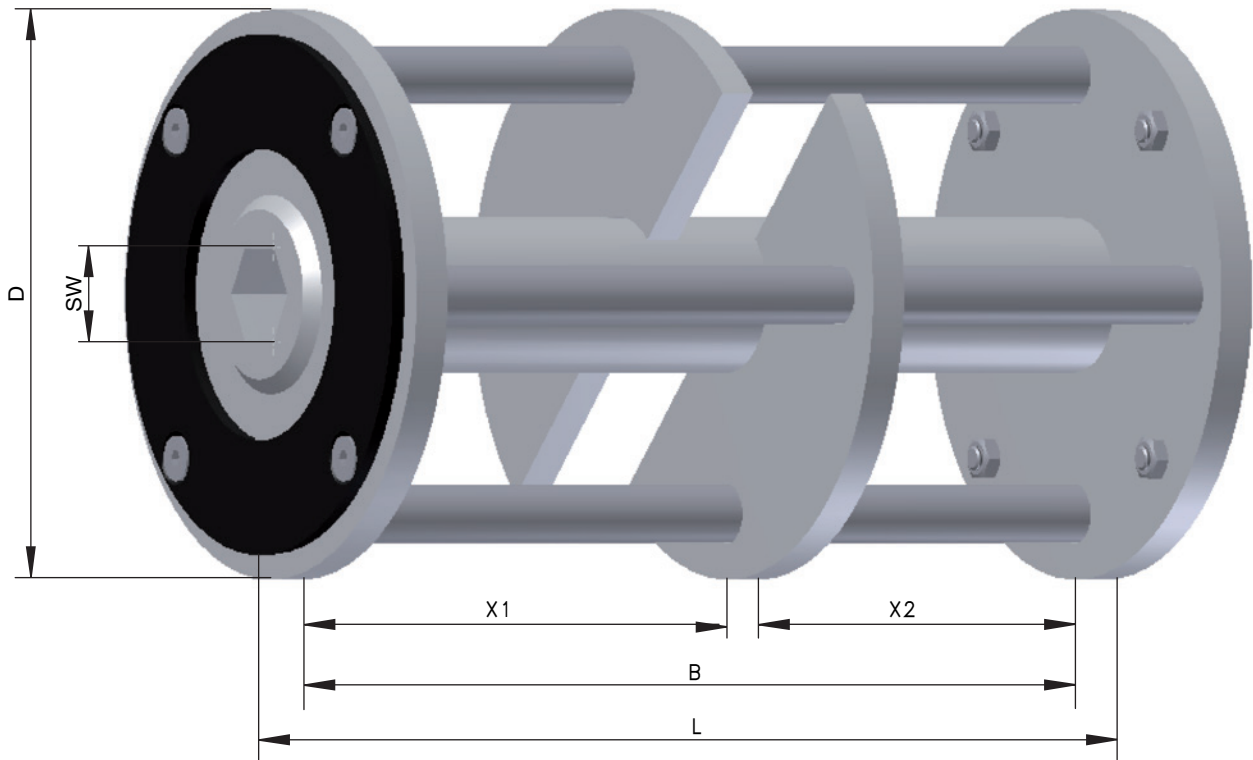


SITEK

DRUMS

DRUMS

► SCARIFIER MACHINES



• DR RT320-5

Article No.	54 00 033
L	380
Ø D	220
SW	36
B	320
X1	
X2	
Ø d	22
n	5

• DR FR300-20

Article No.	54 00 030
L	380
Ø D	210
SW	36
B	300
X1	
X2	
Ø d	20
n	4

• DR VA25S

Article No.	54 00 031
L	290
Ø D	160
SW	37
B	250
X1	70
X2	90
Ø d	12
n	6

• DR FR200-12

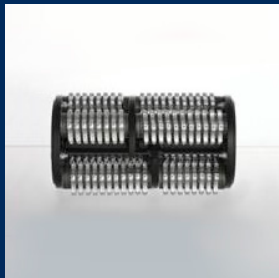
Article No.	54 00 029
L	223
Ø D	117
SW	19.5
B	201
X1	110.5
X2	82.5
Ø d	12
n	4



A BETEK BRAND



SITEK's core competence is in type studs for winter tyres. They provide optimum grip on snow and ice.



Carbide tipped SITEK tools are used to roughen or scour concrete and asphalt surfaces.



SITEK threaded studs and carbide tips for horseshoes provide improved grip on roads, snow and ice

BETEK GmbH & Co. KG
Sulgener Str. 21–23
D-78733 Aichhalden
Germany

Fon: +49 (0) 74 22 / 5 65-0

info@betek.de
www.betek.de

