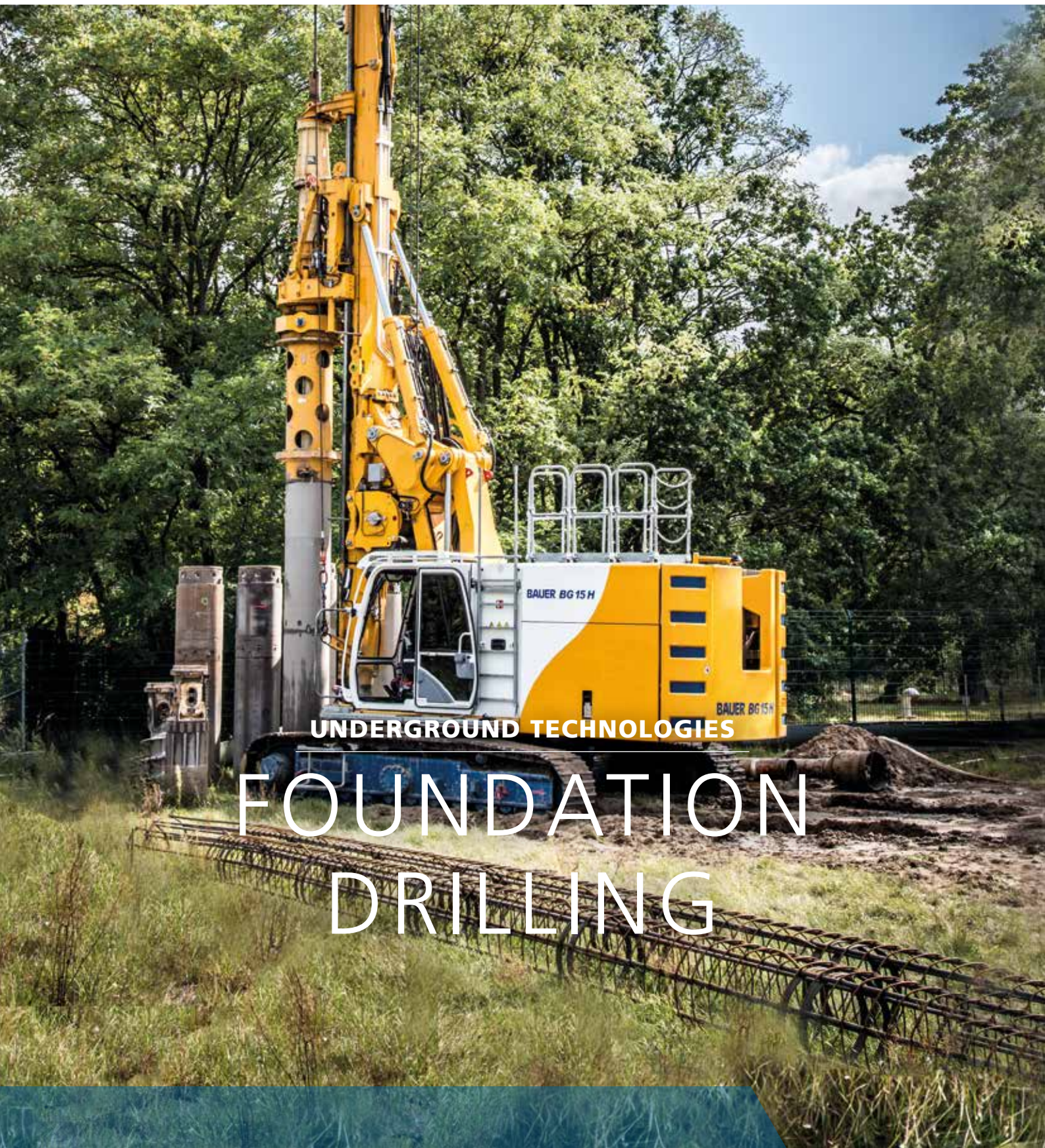




MADE IN GERMANY



UNDERGROUND TECHNOLOGIES

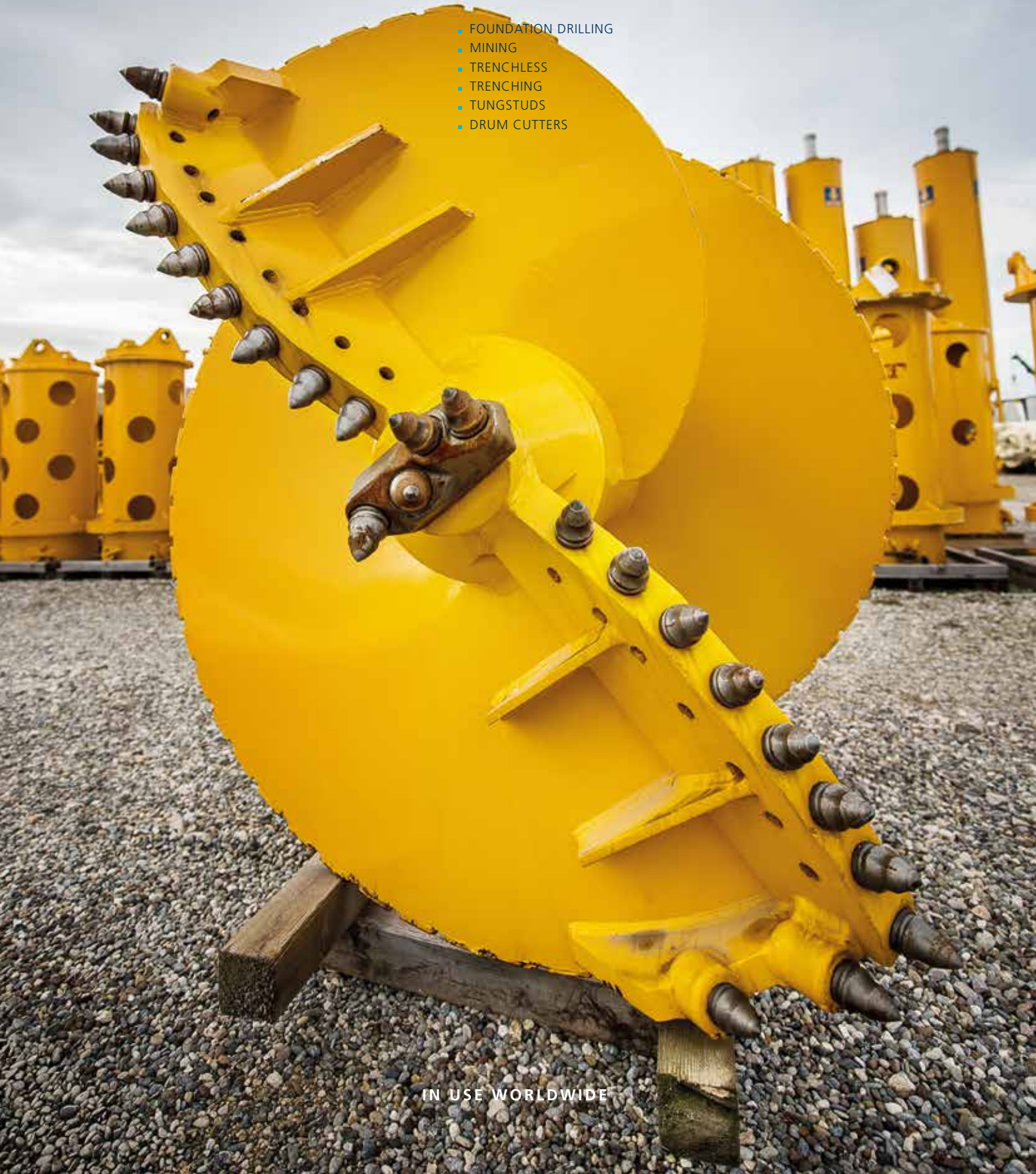
FOUNDATION DRILLING





**UNDERGROUND
TECHNOLOGIES**

- FOUNDATION DRILLING
- MINING
- TRENCHLESS
- TRENCHING
- TUNGSTUDS
- DRUM CUTTERS



IN USE WORLDWIDE

TUNGSTEN CARBIDE AND STEEL

Steel and carbide are two materials with totally different expansion coefficients when subjected to heat. Nevertheless, it is of steel and tungsten carbide that our tools are made, with tungsten carbide for the wear-resistant tip, and steel for the tool shank. Since tools reach high temperatures during use, extreme tensile stresses are generated. These stresses are absorbed by a special brazing material that joins the tungsten carbide tip to the steel section.

We have developed our own methods and systems for this brazing process, which is carried out on fully automated machines with the process covered in an inert protective gas. Manufacturing parameters are fully monitored and documented to ensure consistent quality. Afterwards, brazing shear strengths are checked to ensure that our "Masters of the construction site" lose no time due to broken tools!



BETEK HIGH-TECH TOOLS



1

CUSTOMER SERVICE

- Efficient, customised solutions based on flexible structures
- Personalised, quick response to customer requirements



2

DEVELOPMENT & CONSTRUCTION

- Quick creation of samples and prototypes
- Competitive pricing thanks to close cooperation with all production units



3

TUNGSTEN CARBIDE MANUFACTURING

- High-purity raw materials are used for high strength
- Consistently high, pore-free tungsten carbide quality through precise process control thanks to years of experience and know-how



4

SOLDERING PRODUCTION UNIT

Production facilities and processes specially developed to perfection by experts in the combination of tungsten carbide and steel



5

AUTOMATION

Maintaining a competitive edge on the global market thanks to a high degree of automation and flexible manufacturing facilities



6

QUALITY ASSURANCE

Continuous quality testing of the entire manufacturing chain all the way up to the installation site, in conformity with DIN ISO 9001:2000 and DIN EN ISO 14001



7

TRAINING

User training courses at BETEK or on-site for sustainable, long-term commercial success and customer satisfaction



8

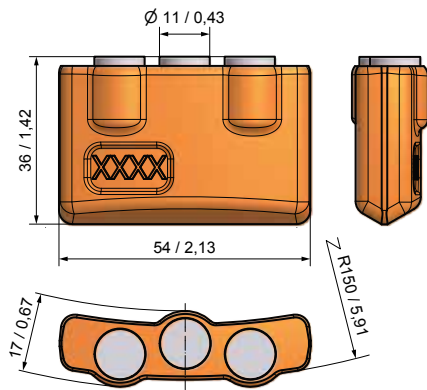
LOGISTICS

Quick responses thanks to:

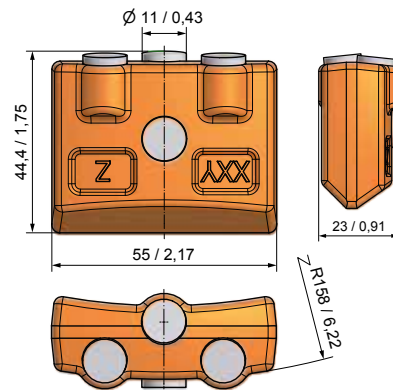
- the use of the very latest IT and enhanced logistics networking
- Standard products kept in stock

OUR KNOW-HOW COMBINED WITH STATE-OF-THE-ART PRODUCTION TECHNOLOGIES GUARANTEES THE FINEST QUALITY, MADE IN GERMANY

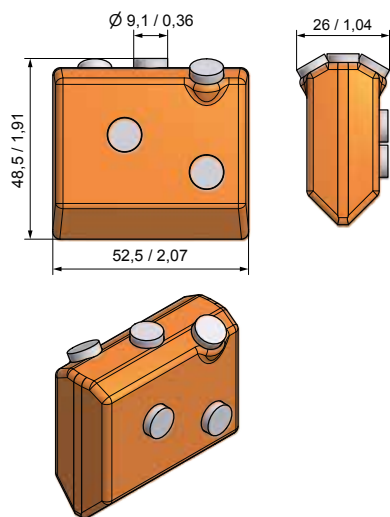
WELDING BARS



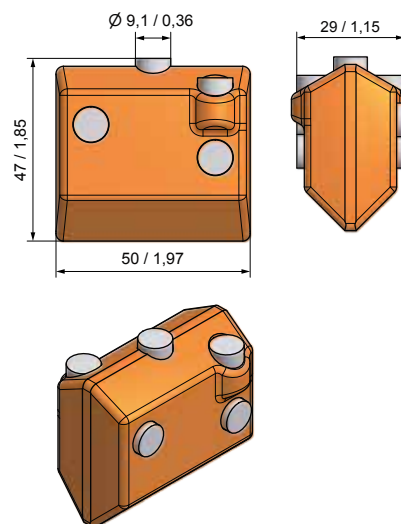
■ **BA12**
BA55-17/11/R 




■ **BA13**
BA55-22 

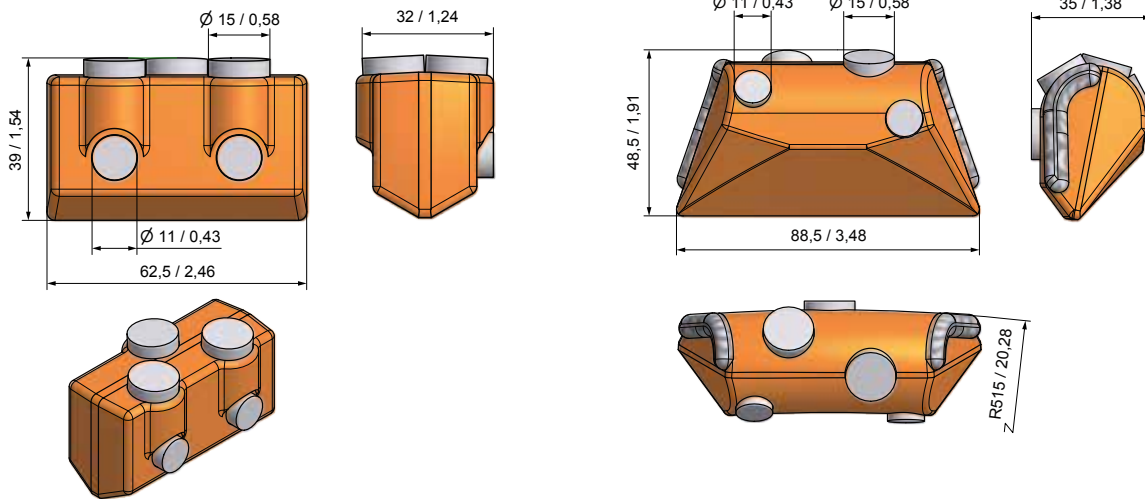


■ **BA10**
BA50-26.5 



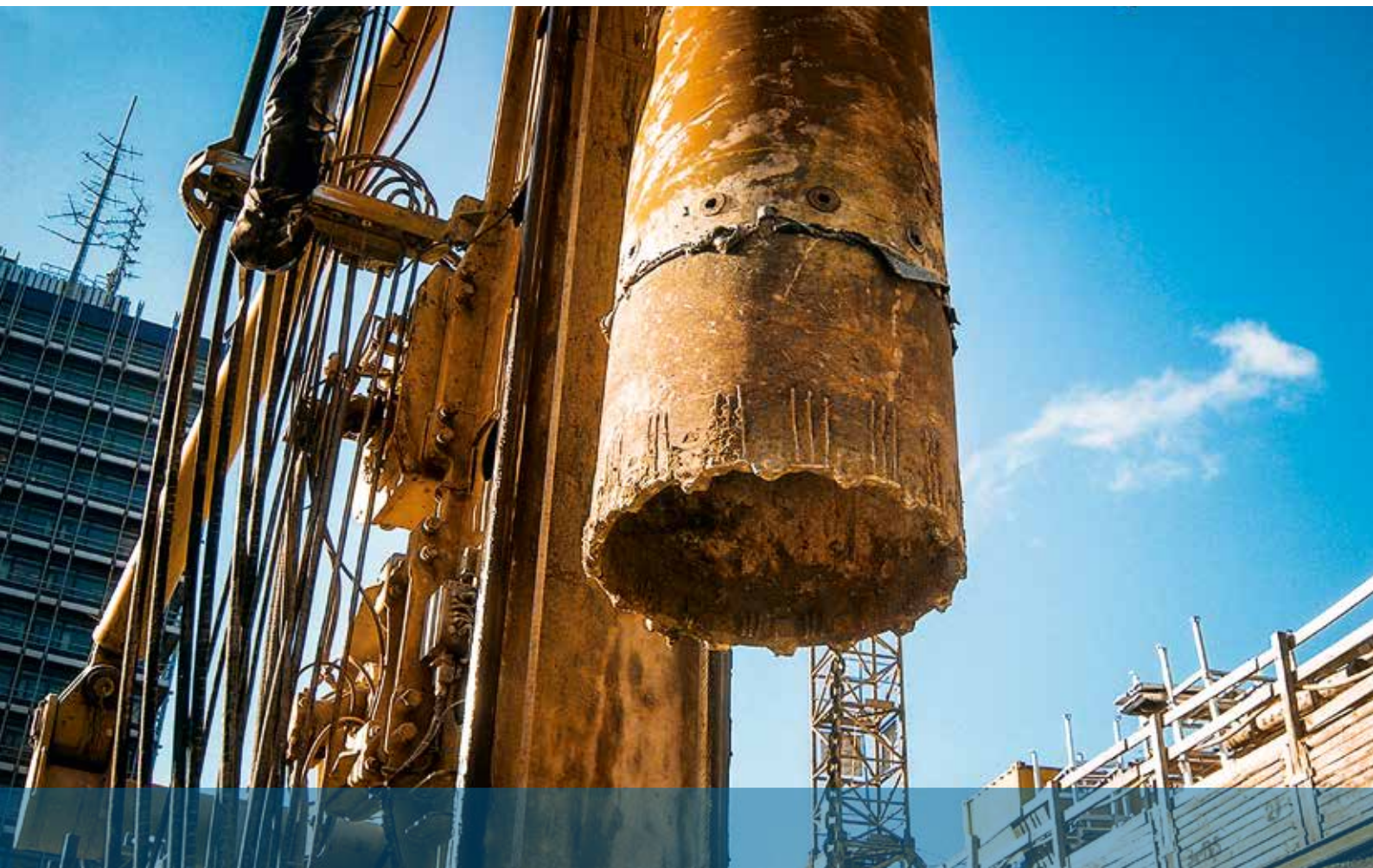
■ **BA09**
BA50-29 

FOUNDATION DRILLING

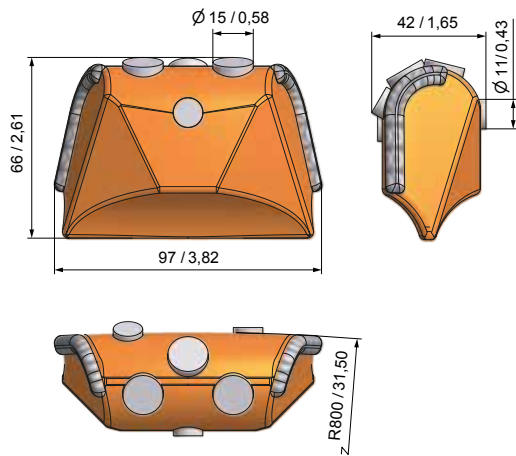


■ BA32
BA60-32/2 

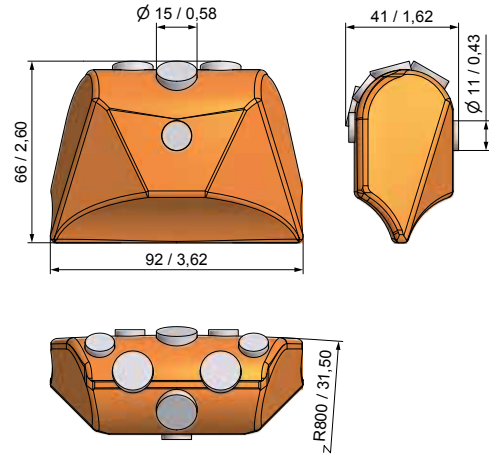
■ BA01
BA90-35 



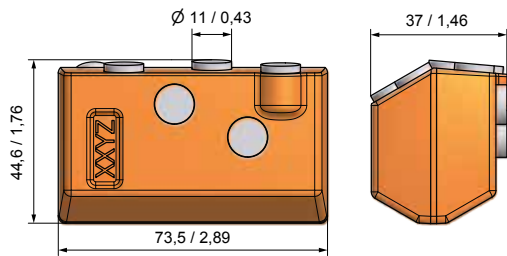
WELDING BARS



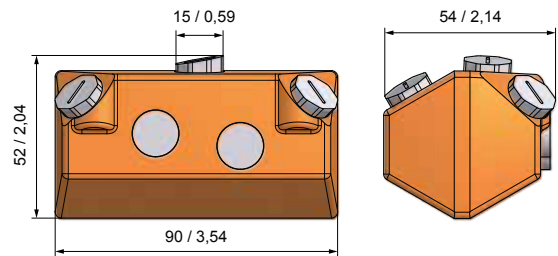
■ **BA24**
BA90-42



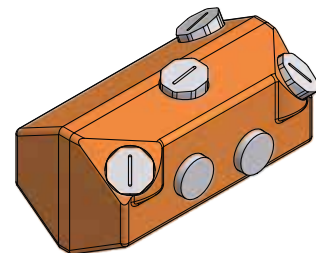
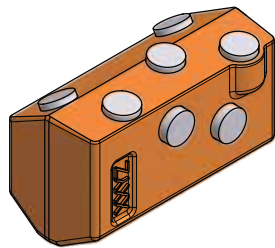
■ **BA62**
BA92-41



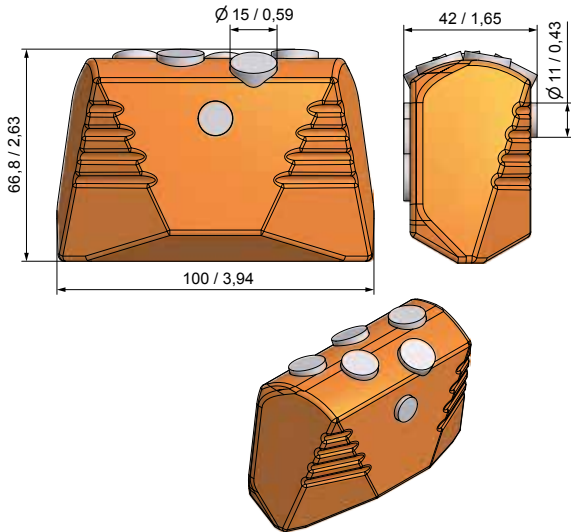
■ **BA04**
BA70-38



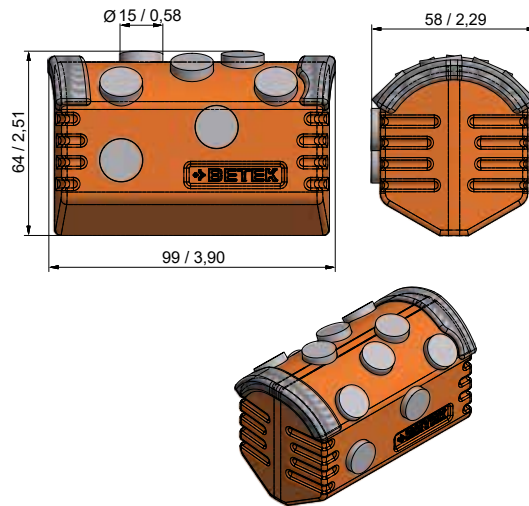
■ **BA19**
BA90-54



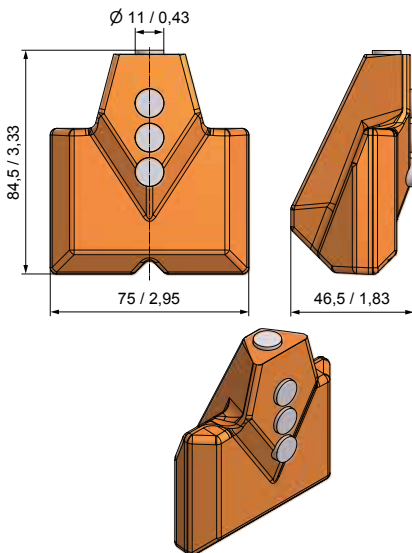
FOUNDATION DRILLING



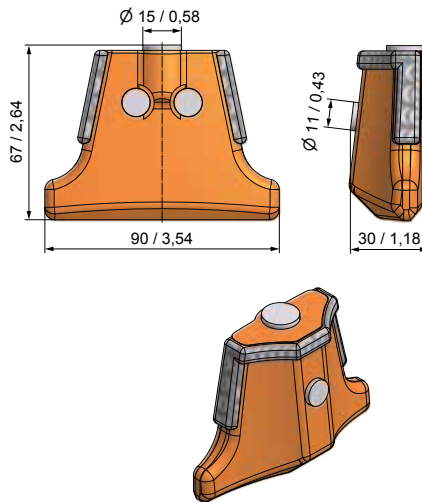
▪ **BA55**
BA100-42 



▪ **BA28**
BA90-58/3 



▪ **BFZ26**
BFZ83x75x45 / 1 

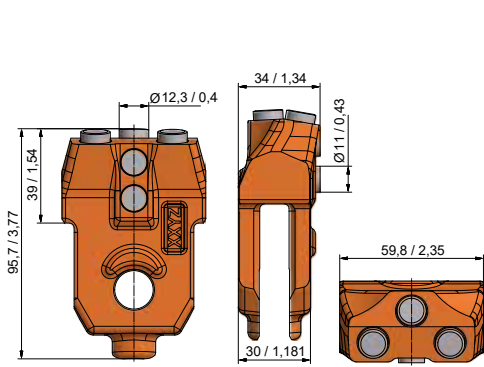


▪ **BFZ72/B**
BFZ65x90x30 

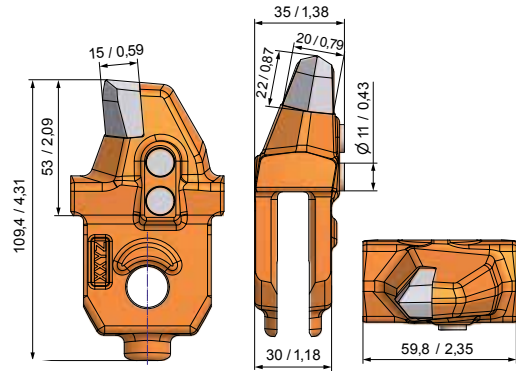
QUICK CHANGE BARS




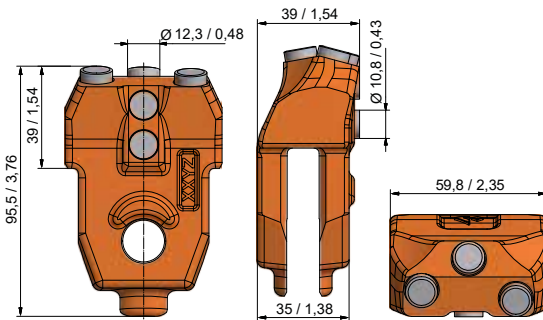
> CASING WALL THICKNESS – 30 MM/1,18"



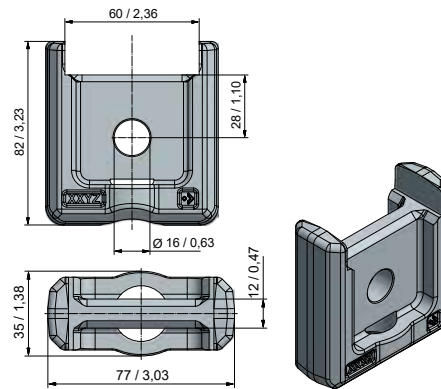
■ **BA60**
BA96x60x30 



■ **BA61**
BA109x60x30 



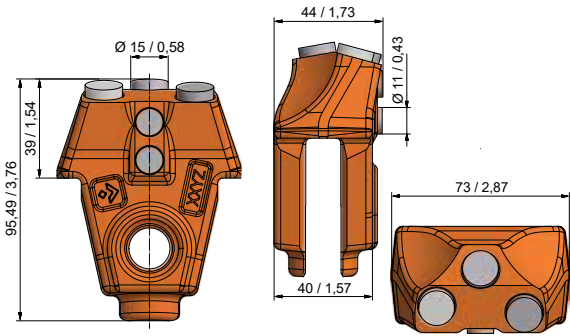
■ **BA58**
BA96x60x35 



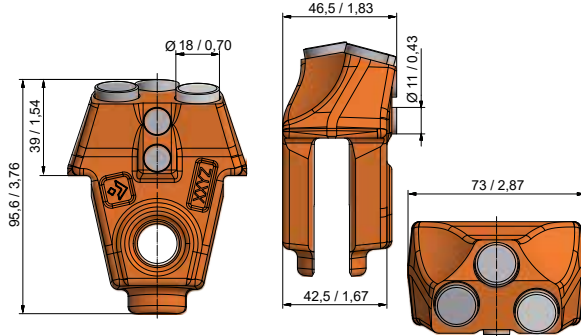
■ **BHA06**
BHA77x82x30 



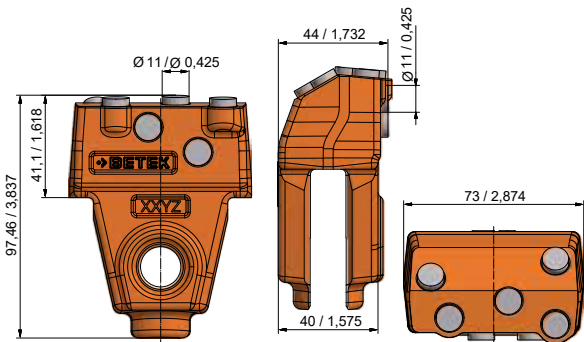
➤ CASING WALL THICKNESS – 40 MM/1,58"



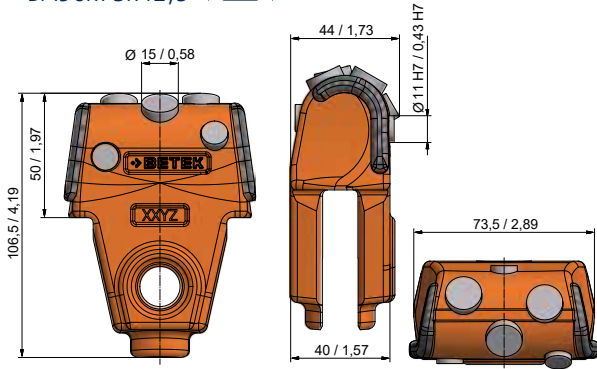
■ BA63
BA96x73x40 



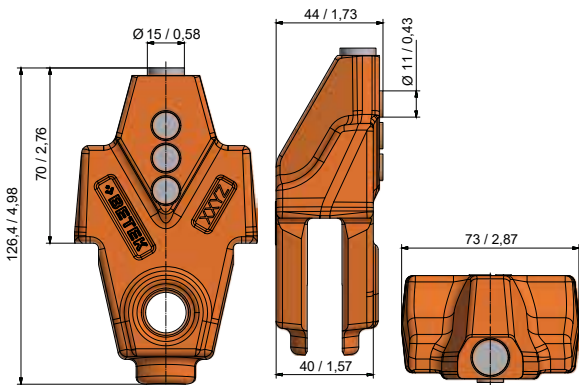
■ BA65
BA96x73x42,5 



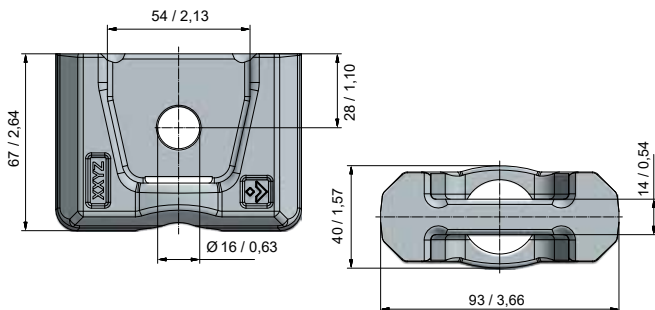
■ BA66
BA98x73x40 



■ BA67
BA107x77x40 



■ BA68
BA126x73x40 

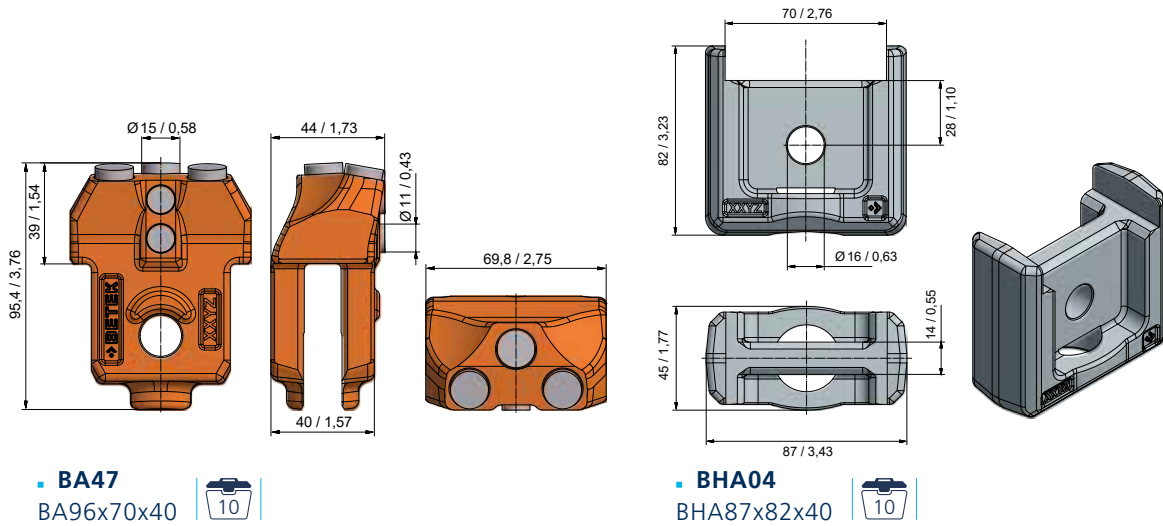


■ BHA07
BHA93x67x35 

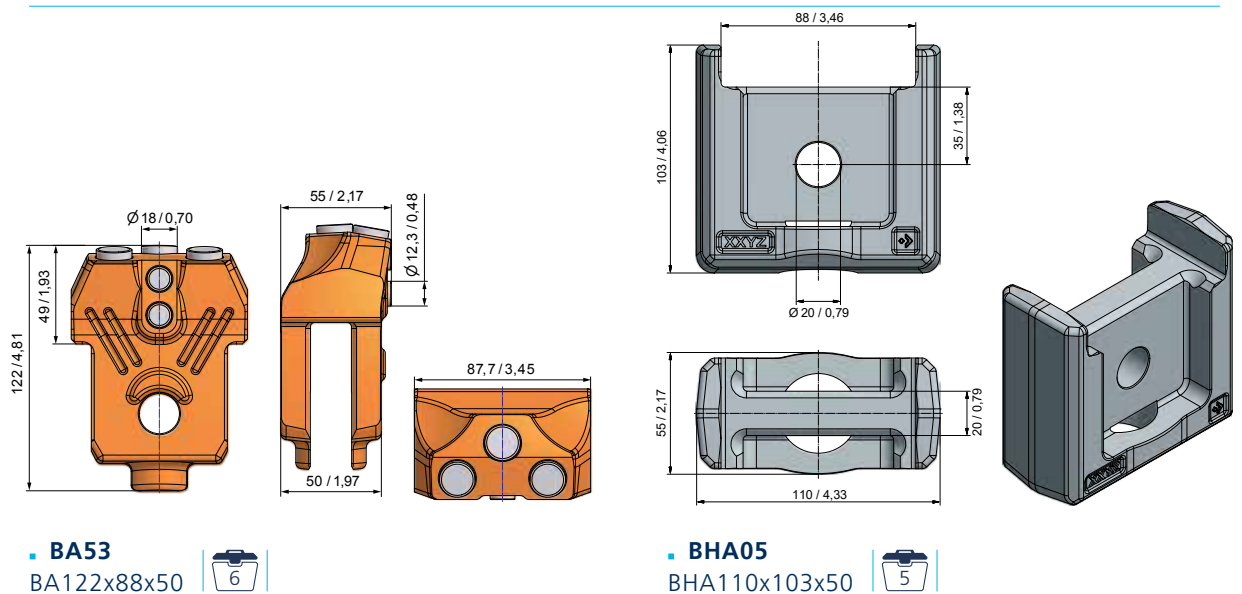
QUICK CHANGE BARS



> CASING WALL THICKNESS – 40 MM/1,58"



> CASING WALL THICKNESS – 50 MM/1,97"

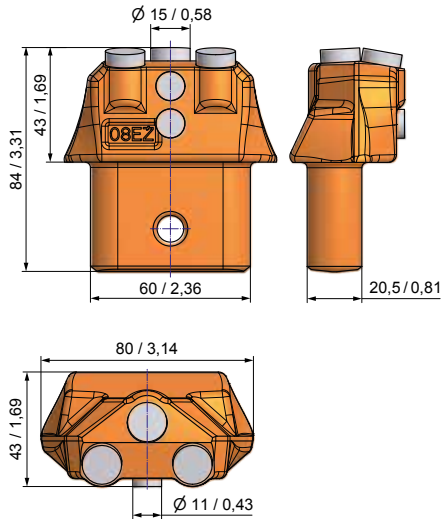




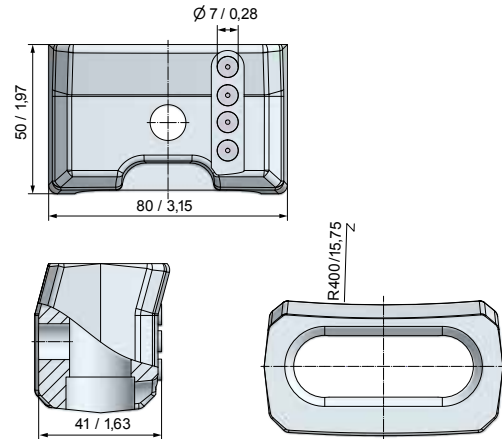
QUICK CHANGE BARS



► CASING WALL THICKNESS – 40 MM/1,58"

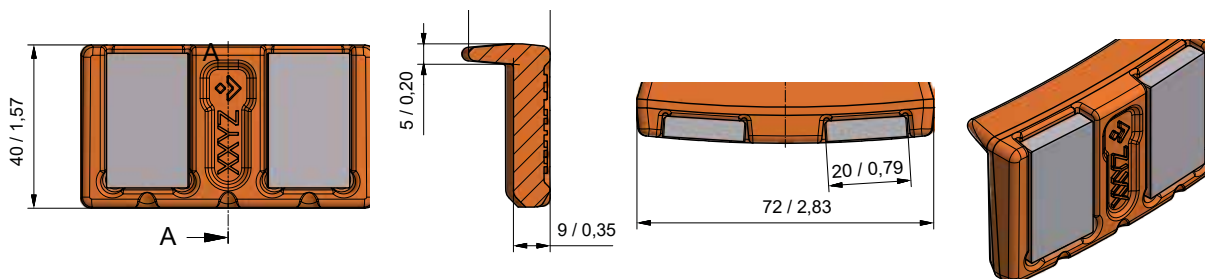


■ BA46
BA80-31 | 15



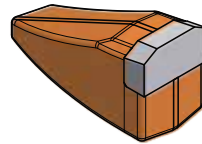
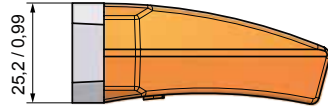
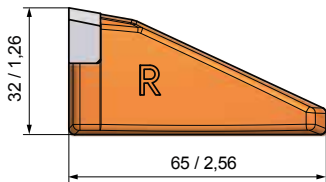
■ BHA02
BHA60 / 2 | 20

BORE PROTECTION ON AUGERS

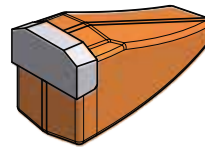
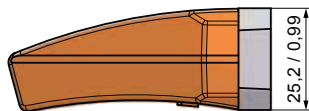
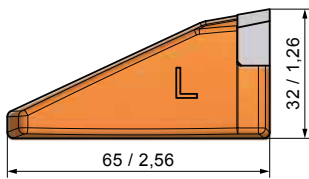


■ BA54
BA72x40x20 | 50

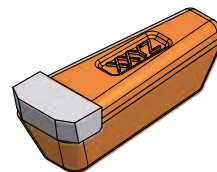
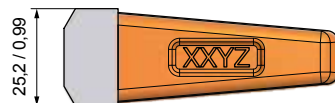
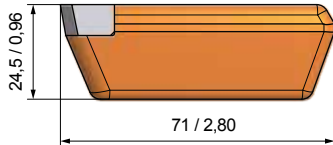
WELD-ON TEETH



▪ **BFZ25R**
BFZ25-R



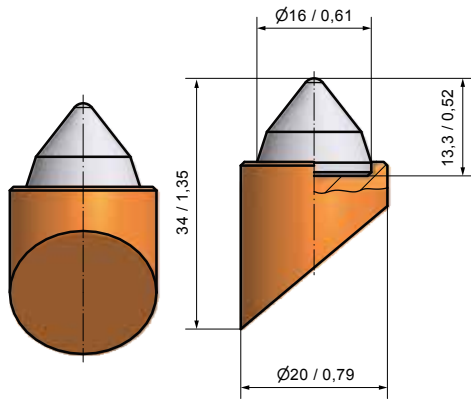
▪ **BFZ25L**
BFZ25-L



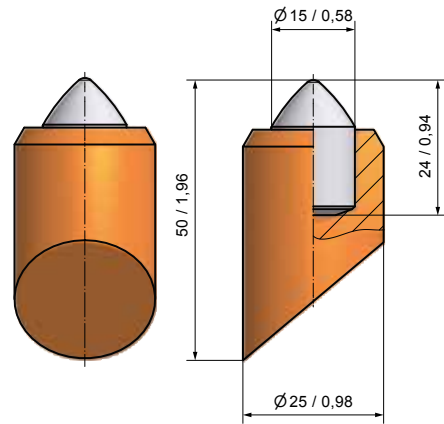
▪ **BFZ96**
BFZ71x25



WELD-ON TEETH



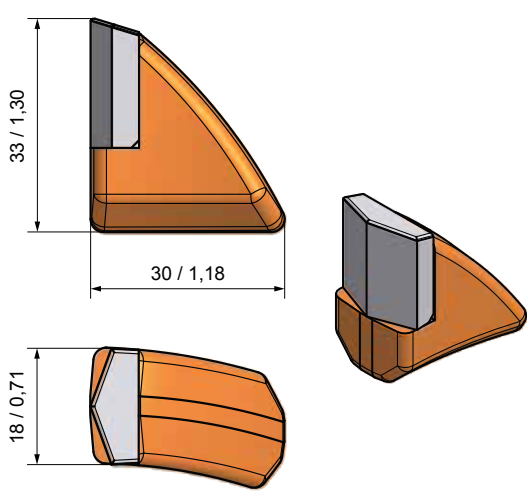
■ BFZ158
BFZ3



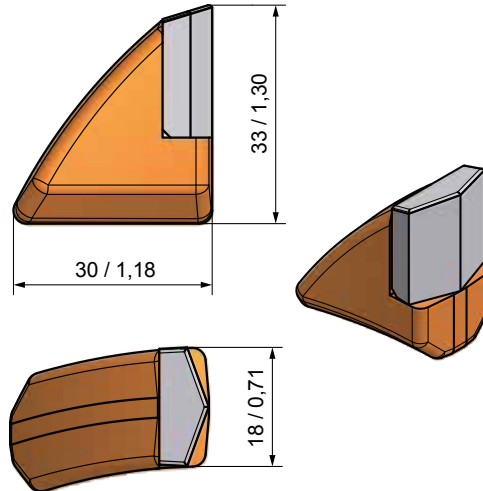
■ BFZ207
BFZ1



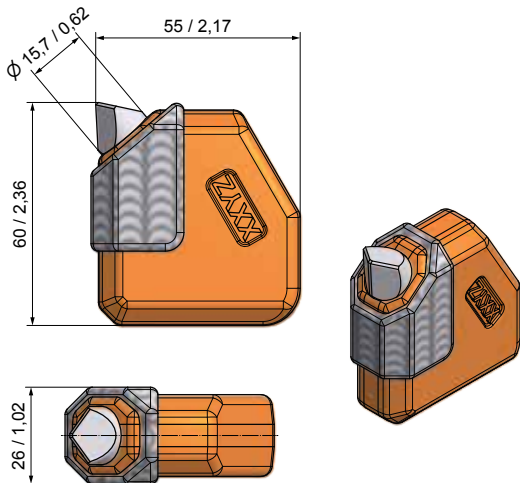
FOUNDATION DRILLING



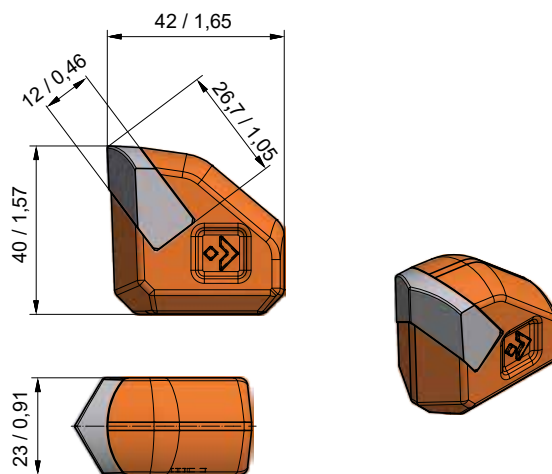
• **BFZ107**
BFZ18/R



• **BFZ144**
BFZ18/L



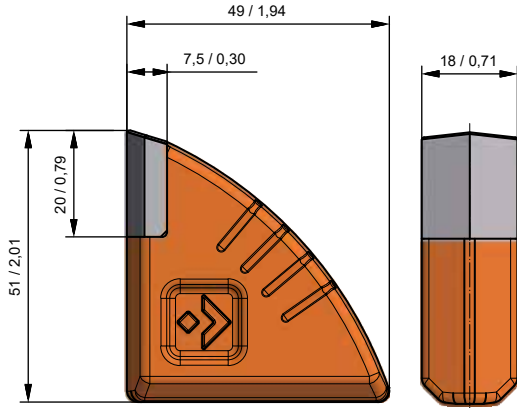
• **BFZ257**
BFZ60x55x22



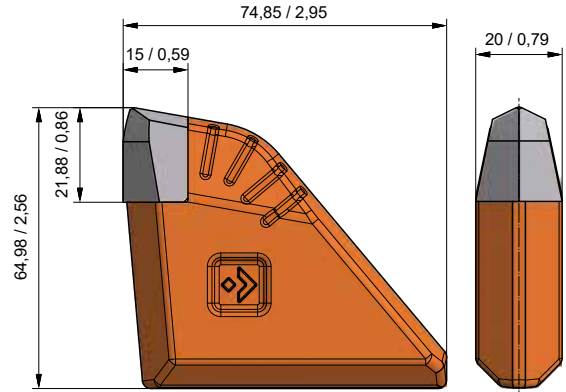
• **BFZ327**
BFZ42x40x23/1



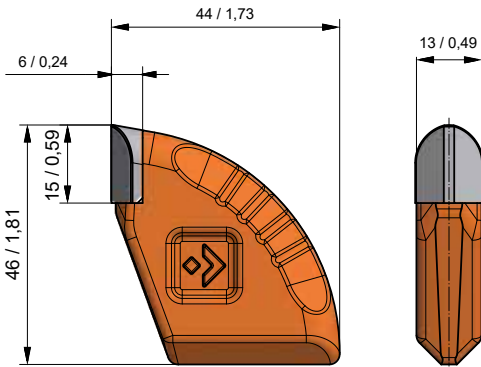
WELD-ON TEETH



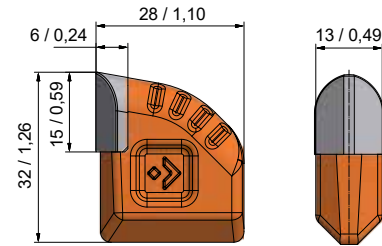
■ **BFZ87**
BFZ18/2 



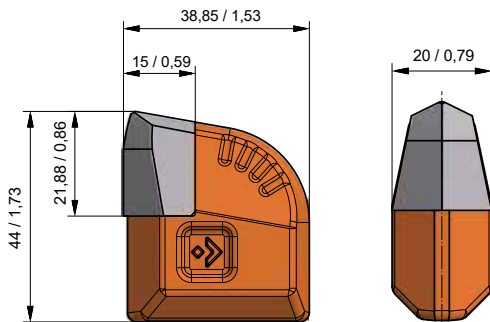
■ **BFZ319**
BFZ75x65x20 



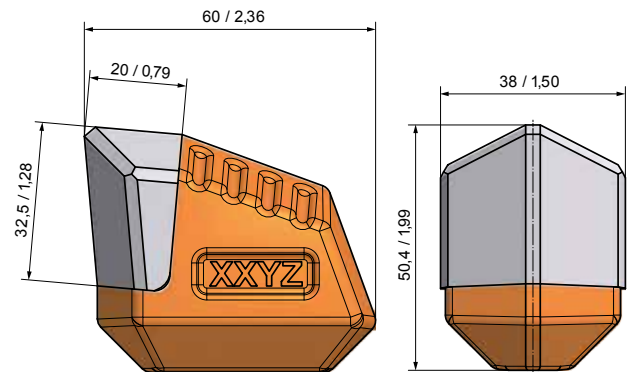
■ **BFZ318**
BFZ46x44x13 




■ **BFZ321**
BFZ32x28x13 

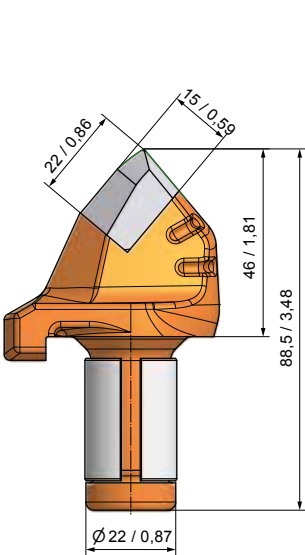
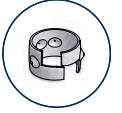



■ **BFZ320**
BFZ44x39x20 

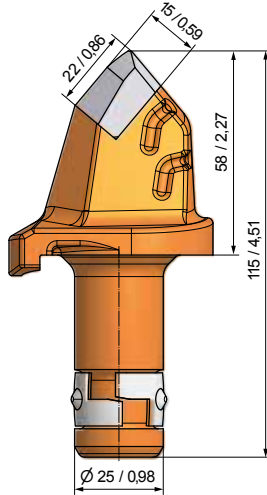


■ **BFZ326**
BFZ38/M 

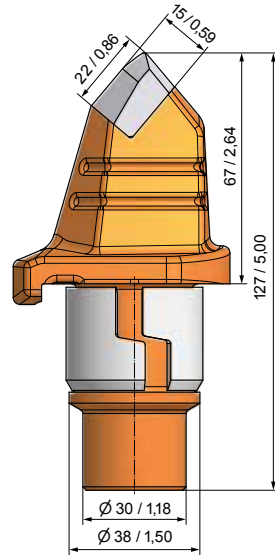
DRAGON TOOTH



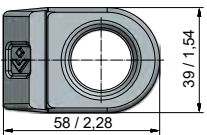
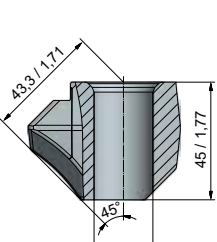
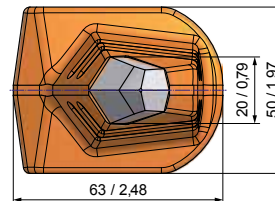
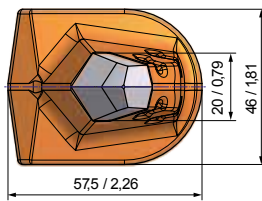
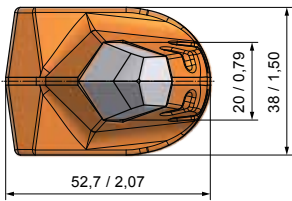
■ **BFR07**
BFR46-22 



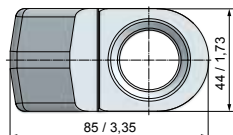
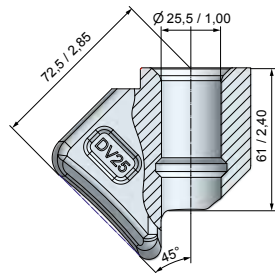
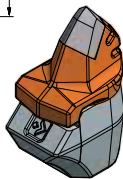
■ **BFR08**
BFR58-25 



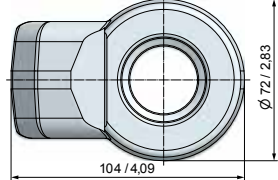
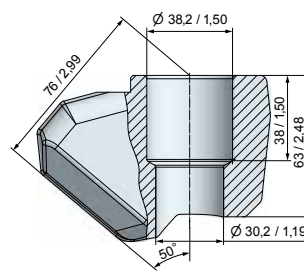
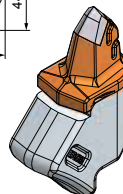
■ **BFR10**
BFR67-38/30 



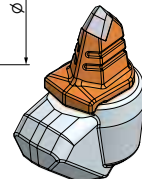
■ **BHR133**
B10/22-F 



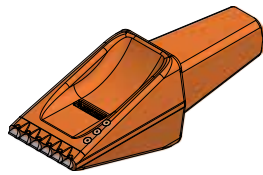
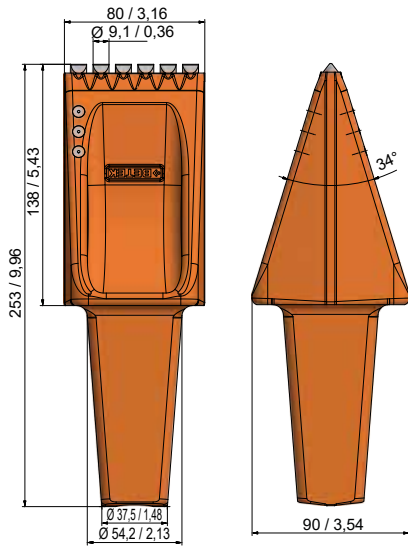
■ **BHR184**
DV25-F 




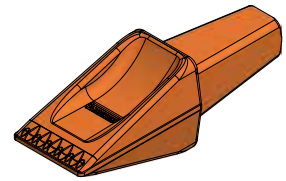
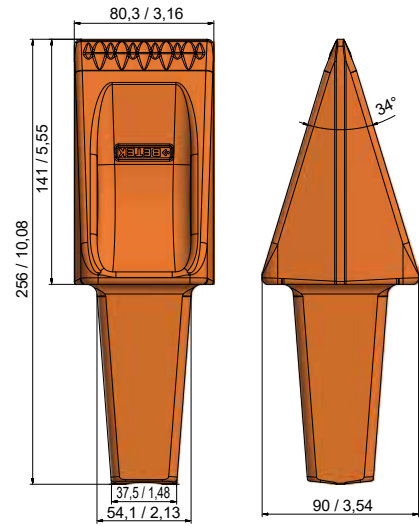
■ **BHR244**
B43K-F 



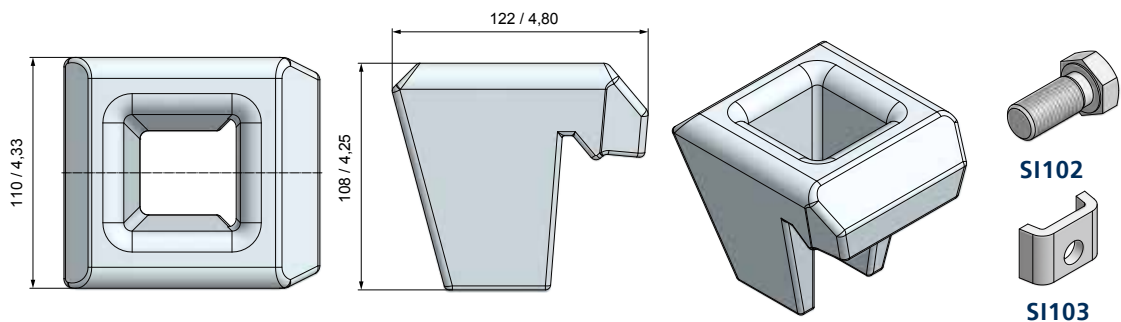
FLAT TEETH



■ **BFZ317**
BFZ80-B 

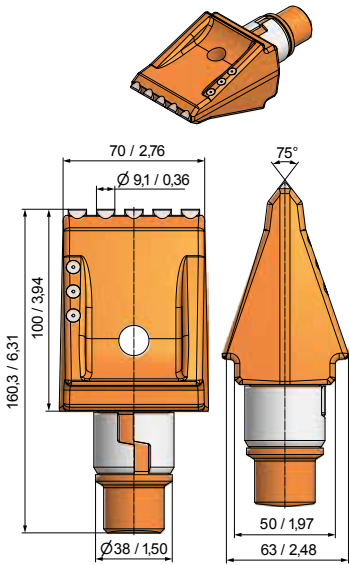


■ **BFZ79**
BFZ80OHM 

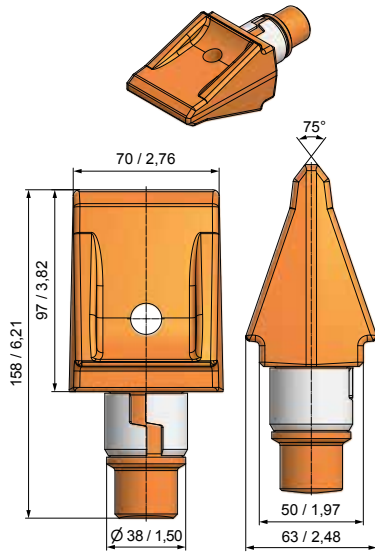


■ **BHR73**
BHZ80/2 

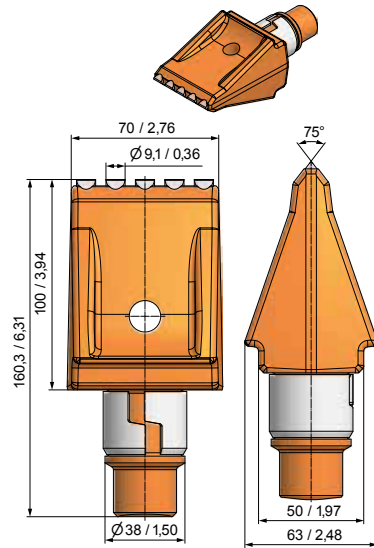
FOUNDATION DRILLING



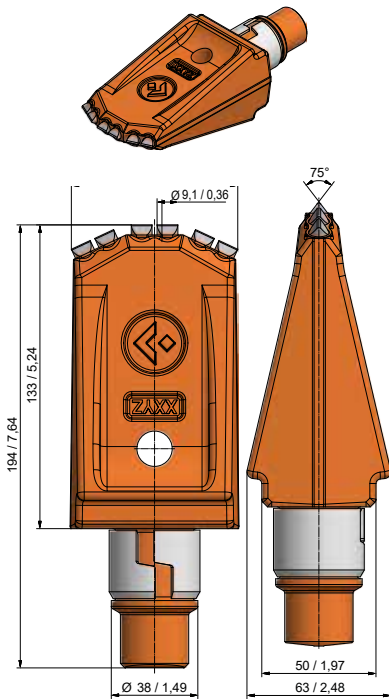
■ **BFZ162**
BFZ100x70/2



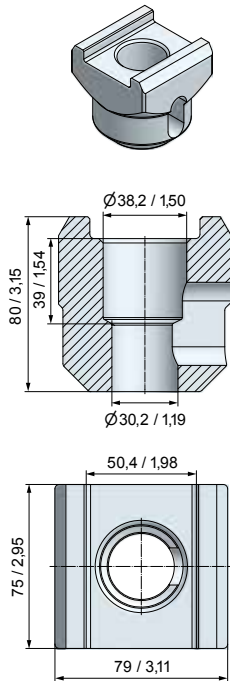
■ **BFZ69**
BFZ100x70



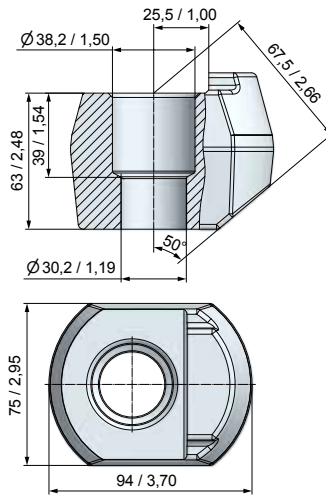
■ **BFZ339**
BFZ100x70/4



■ **BFZ322**
BFZ133x73

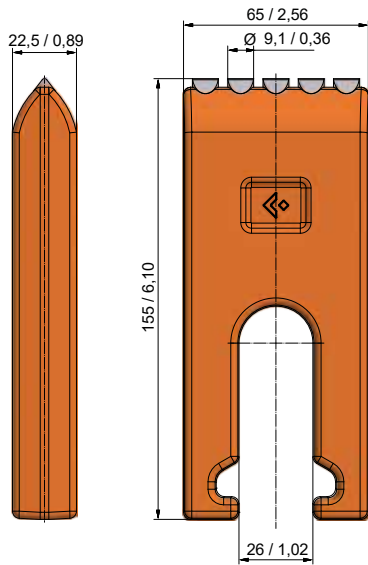


■ **BHR112**
B75

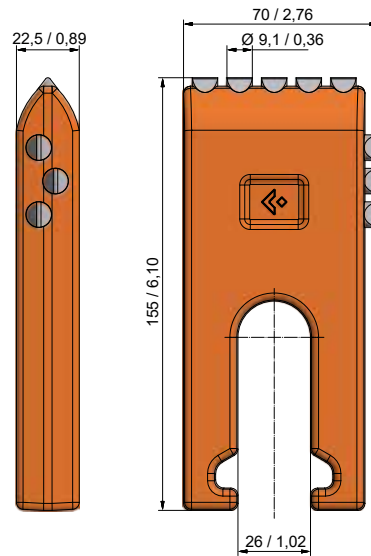


■ **BHR39**
B48

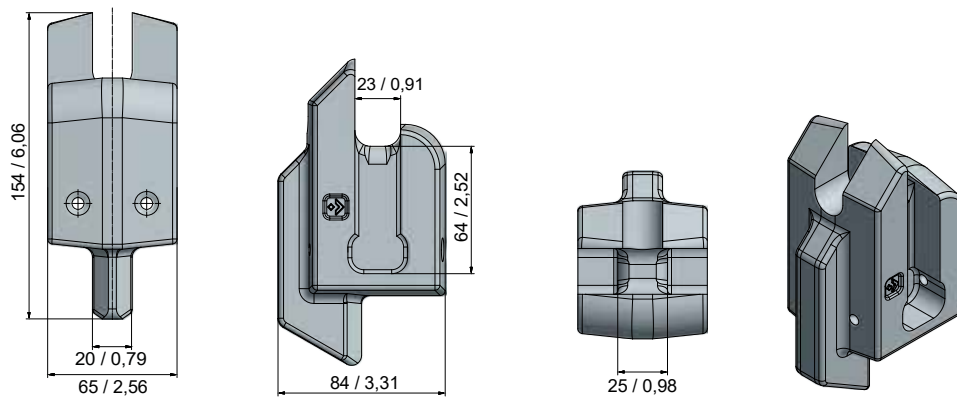
FLAT TEETH



■ **BFZ02**
BFZ65/2



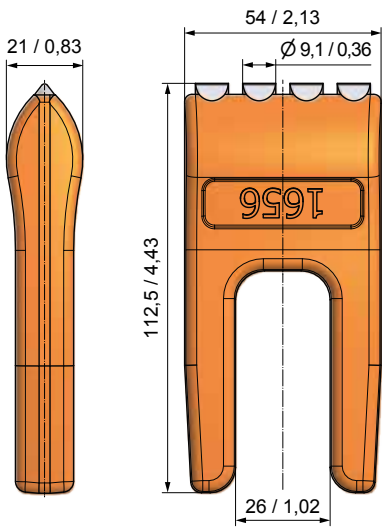
■ **BFZ02**
BFZ65/3



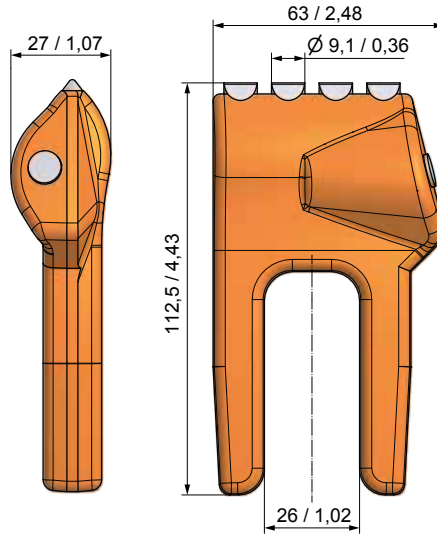
■ **BHF02**
B65-22



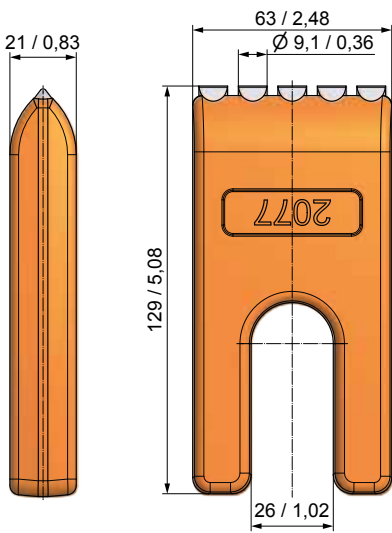
FOUNDATION DRILLING




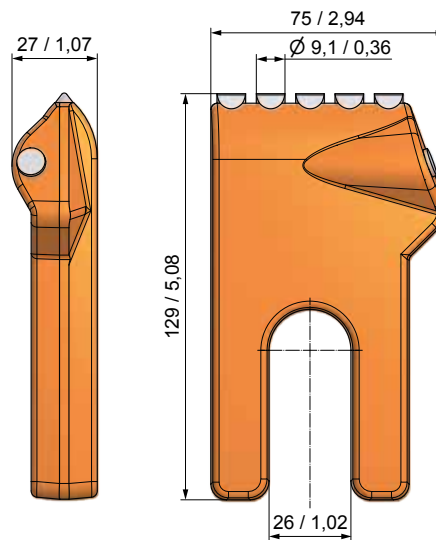
■ **BFZ05N**
BFZ1656N 



■ **BFZ198N**
BFZ1658N 

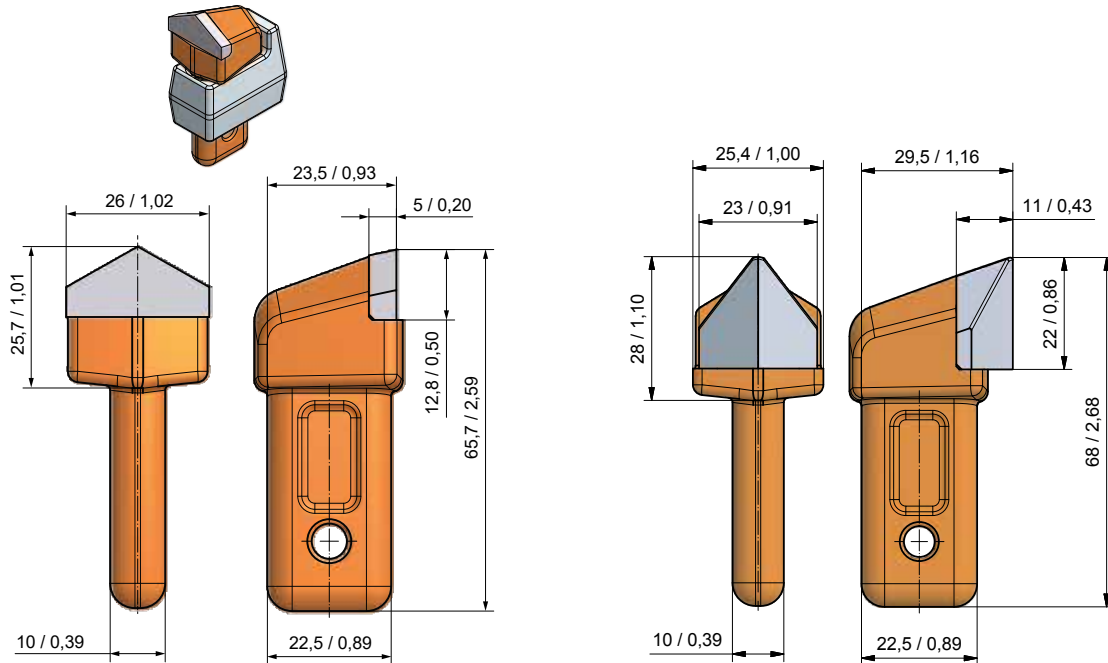


■ **BFZ200N**
BFZ2077N 



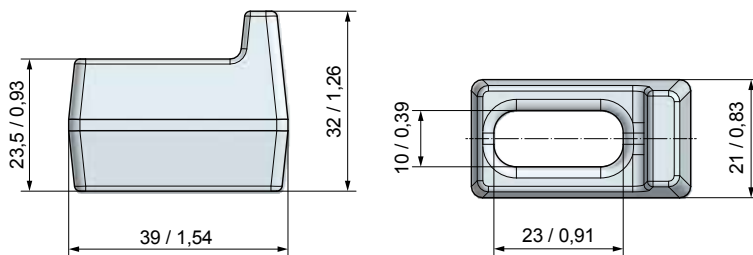
■ **BFZ218**
BFZ2078 

FLAT TEETH



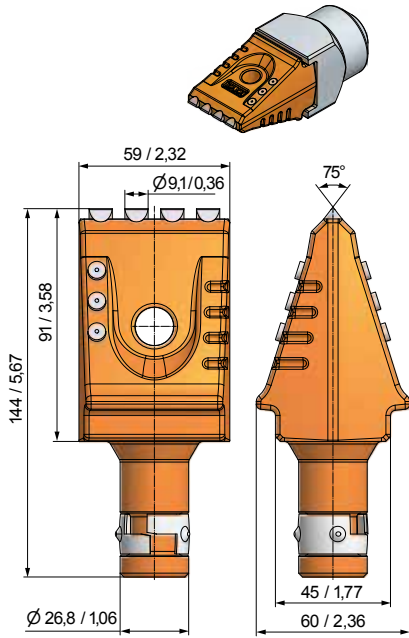
• **BFZ272**
BFZ67x30x26 

• **BFZ347**
BFZ68x32x25 

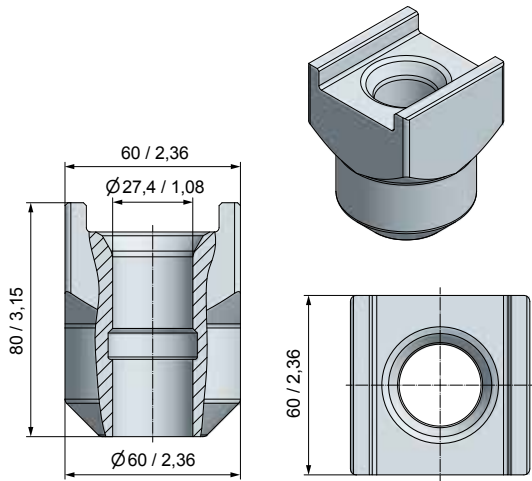


• **BHZ24**
BHZ39x32x21 

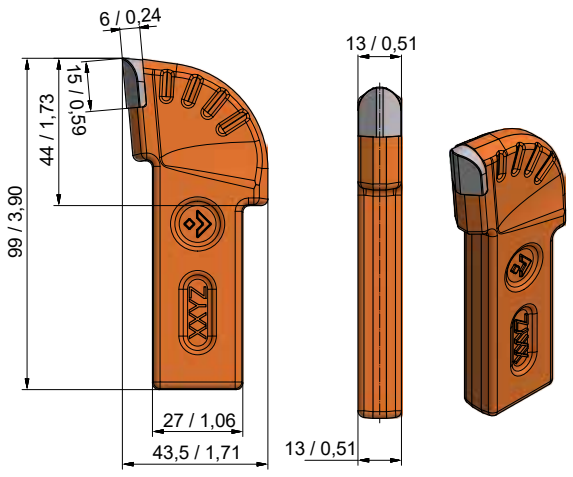
FOUNDATION DRILLING



■ **BFZ324**
BFZ91x59 



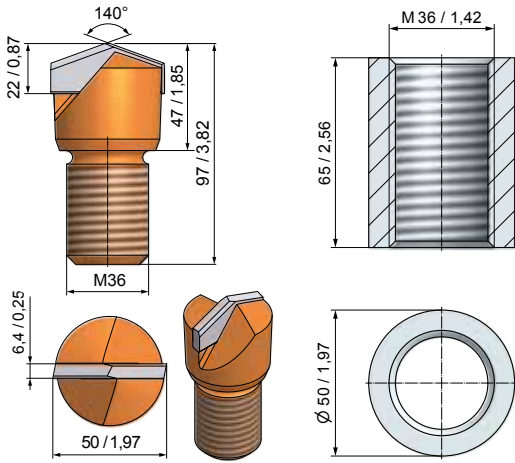
■ **BHR254**
B60/27 



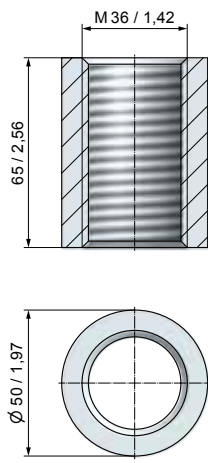
■ **BF64**
BF99x27x13 




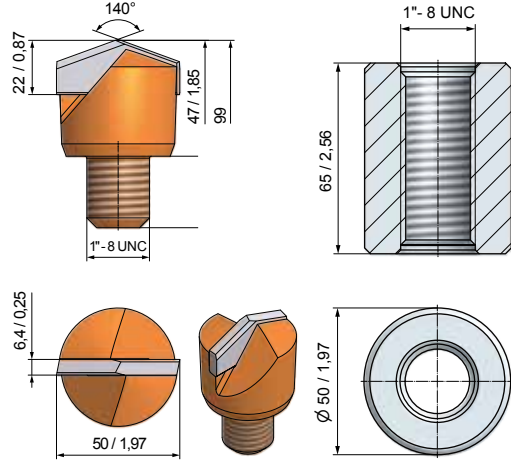
PILOTS



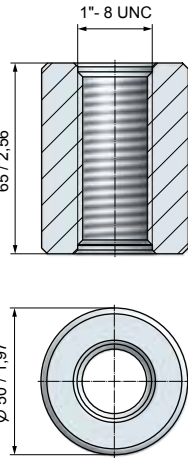
■ **BP04**
BP51/M36-HD3 



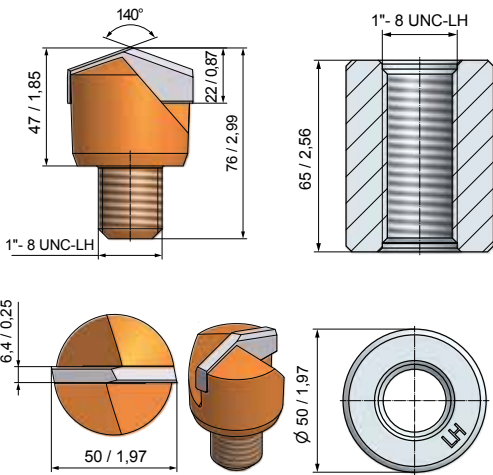
■ **BPH01**
GH-M36 




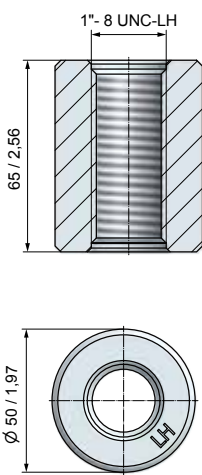
■ **BP01**
BP51/1"-HD3 



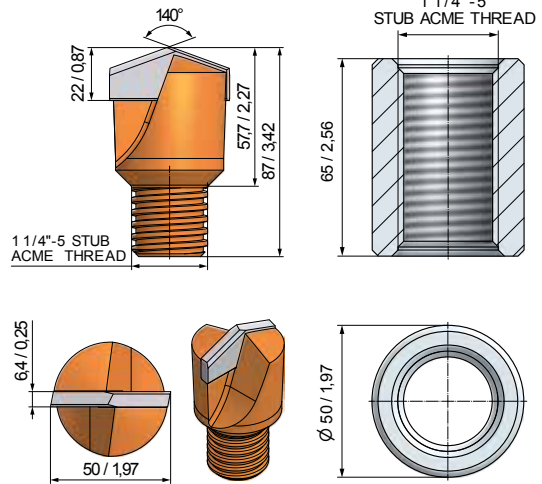
■ **BPH02**
GH-1" 



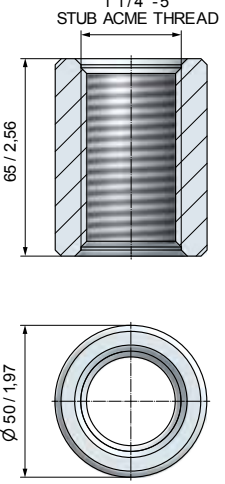
■ **BP10**
BP51/1"-HD3/LH 




■ **BPH03**
GH-1" LH 



■ **BP51**
BP51x87 

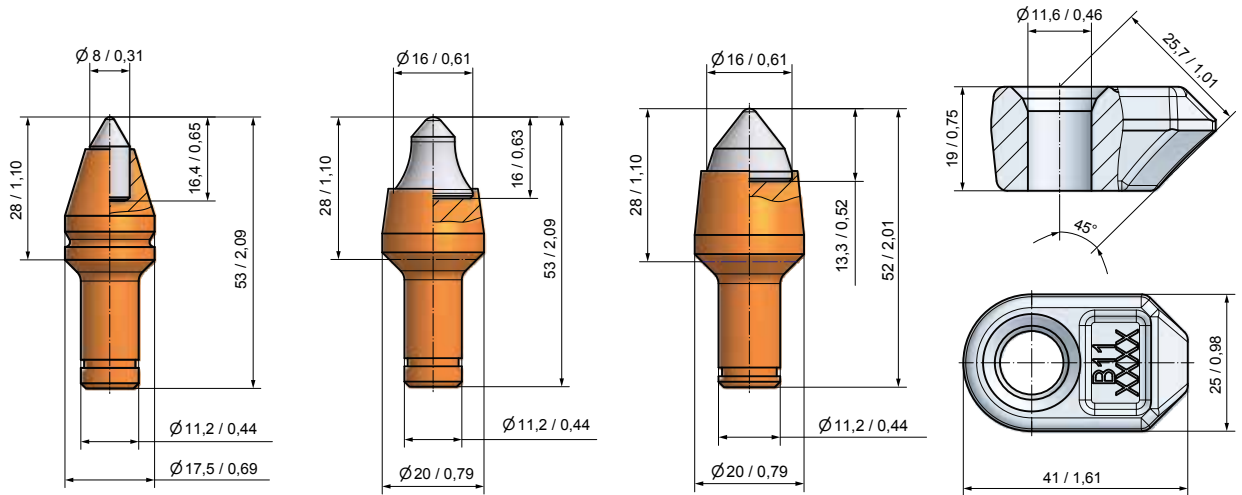


■ **BPH04**
GH-1 1/4"-5 

ROUND SHANK CUTTER BITS



▶ SHANK SYSTEM – Ø 11 MM/0,43"



■ **BM11**
BM8-11.3

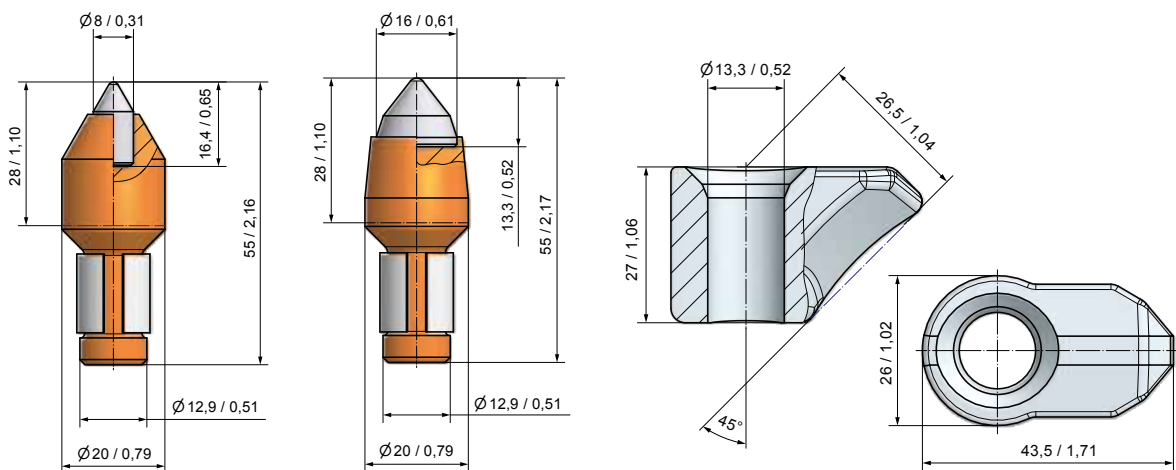
■ **BM10**
BG11W-61.2028

■ **BM46**
BM3-11.3

■ **BHR03**
B11



▶ SHANK SYSTEM – Ø 13 MM/0,51"

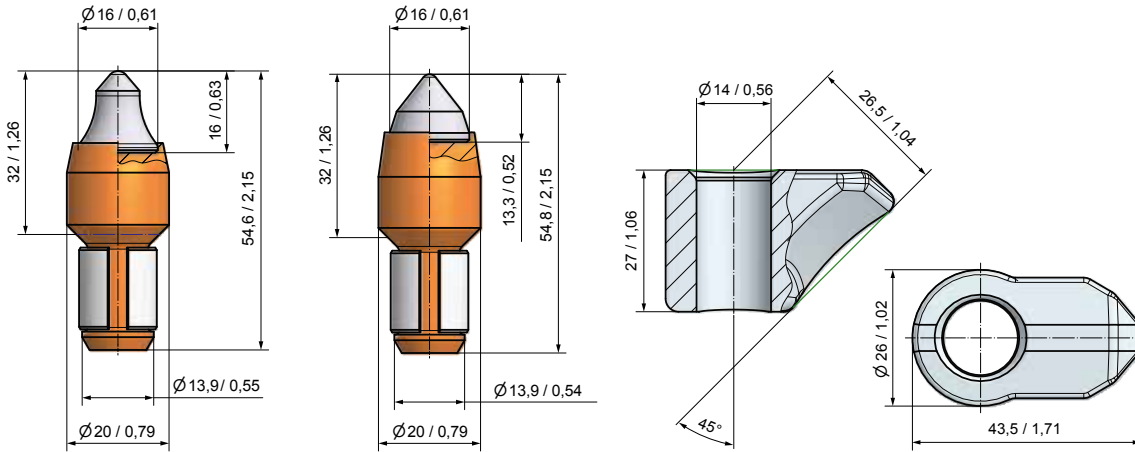


■ **BM34**
BM8-13/H

■ **BM62**
BM3-13/H

■ **BHR47**
B13

► SHANK SYSTEM – Ø 14 MM/0,55"

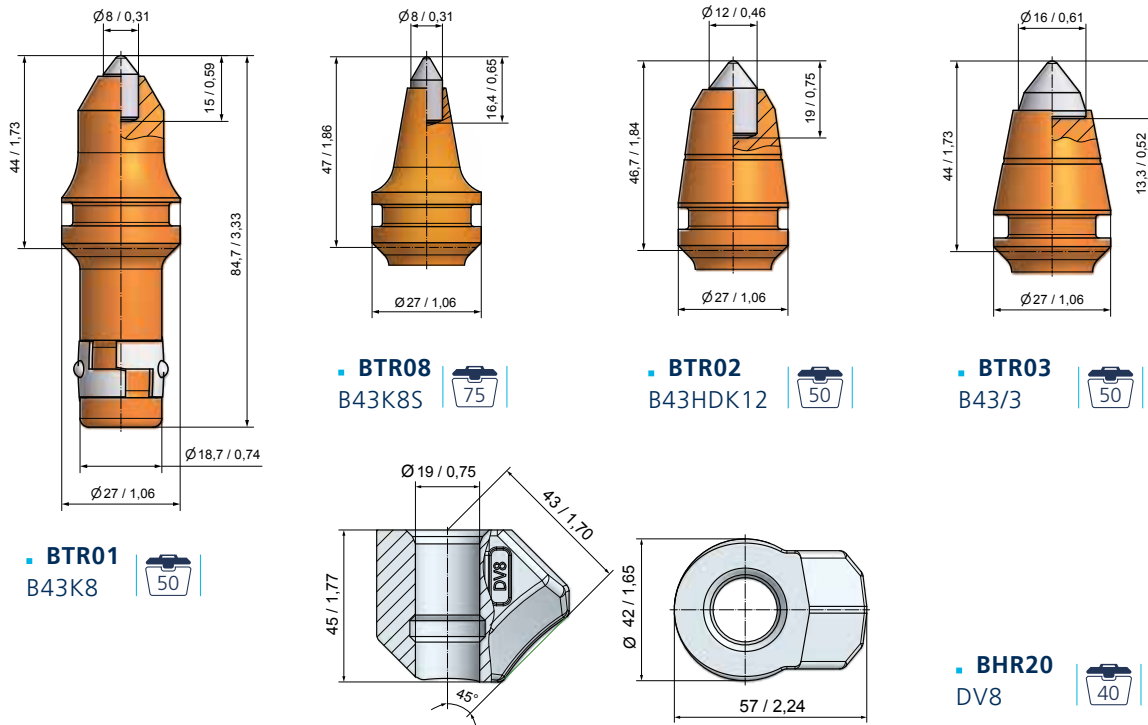
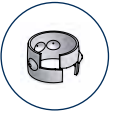


■ **BM55**
BM4-14/2 

■ **BM60**
BM3-14/H 

■ **BHR109**
B14 

► SHANK SYSTEM – Ø 18,7 MM/0,74"



■ **BTR01**
B43K8 

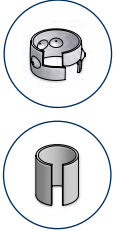
■ **BTR08**
B43K8S 

■ **BTR02**
B43HDK12 

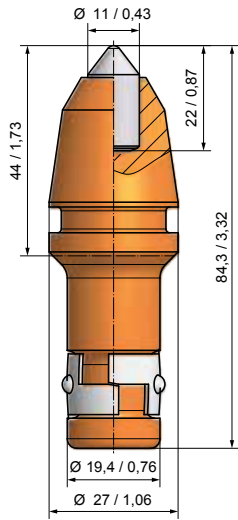
■ **BTR03**
B43/3 

■ **BHR20**
DV8 

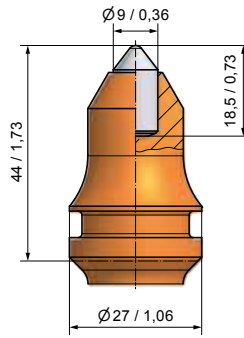
ROUND SHANK CUTTER BITS



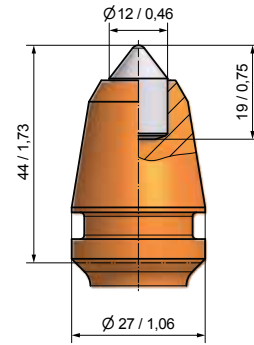
> SHANK SYSTEM – Ø 19,4 MM – 0,76"



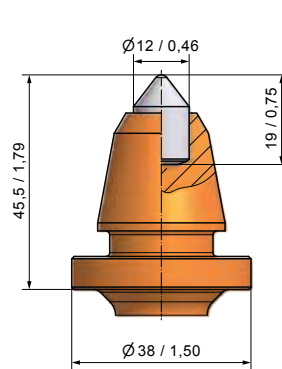
■ **BSK16**
B1HDK11-K



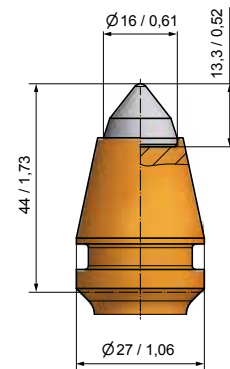
■ **BSK15**
B1K9-K



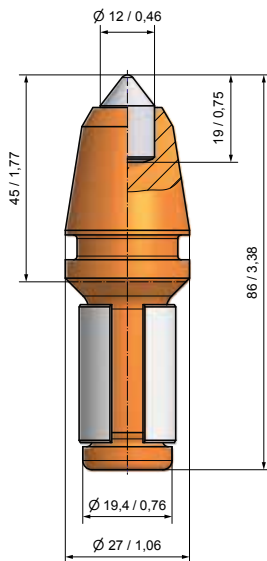
■ **BSK17**
B1HDK12-K



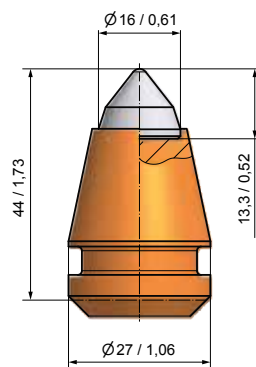
■ **BSK21**
B1-12/38-K



■ **BSK23**
B3-K/2

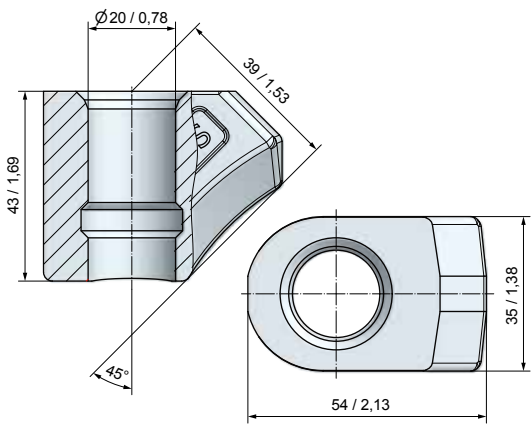


■ **BSH05**
B1HDK12

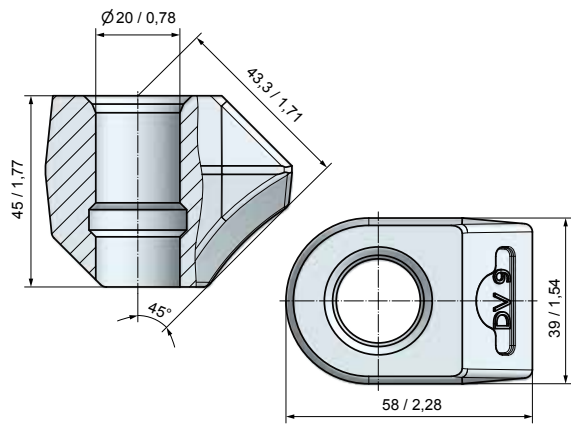


■ **BSH09**
B3

► SHANK SYSTEM – Ø 19,4 MM/0,76"



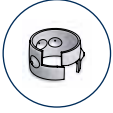
■ BHR164
DV9-S



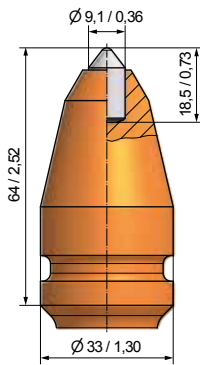
■ BHR07
DV9



ROUND SHANK CUTTER BITS

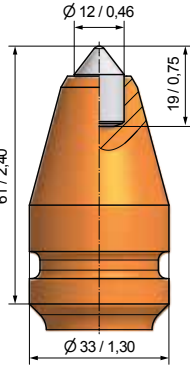


> SHANK SYSTEM – Ø 25 MM/1"



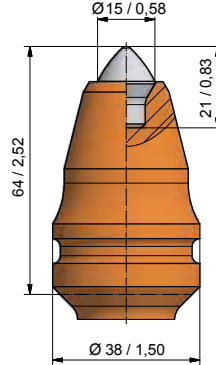
■ **BTK01**

BG25K-09.3364



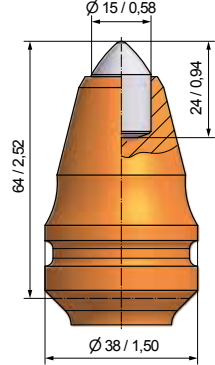
■ **BTK03**

BG25K-12.3361



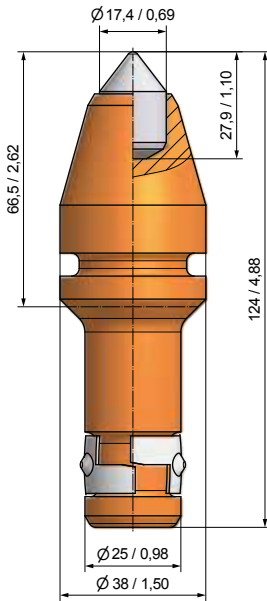
■ **BTK164**

BG25K-76.3864



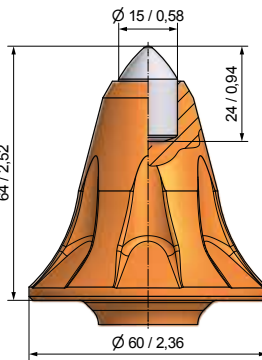
■ **BTK10**

BG25K-15.3864



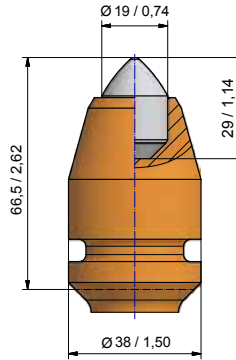
■ **BTK70**

BG25K-17.3867



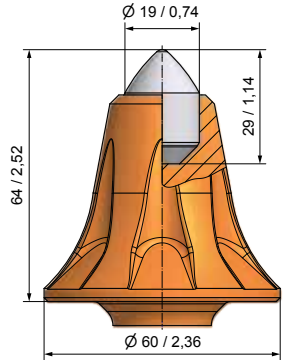
■ **BTK81**

B40HDS/60



■ **BTK162**

BG25-19.3867

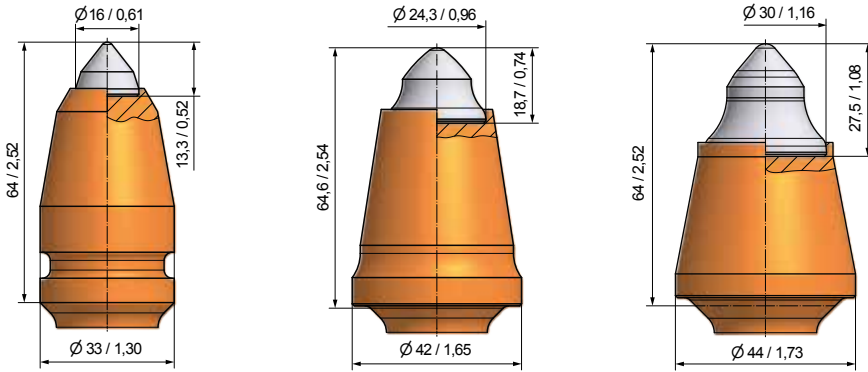
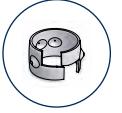


■ **BTK89**


BG25K-19.6064



► SHANK SYSTEM – Ø 25 MM/1"

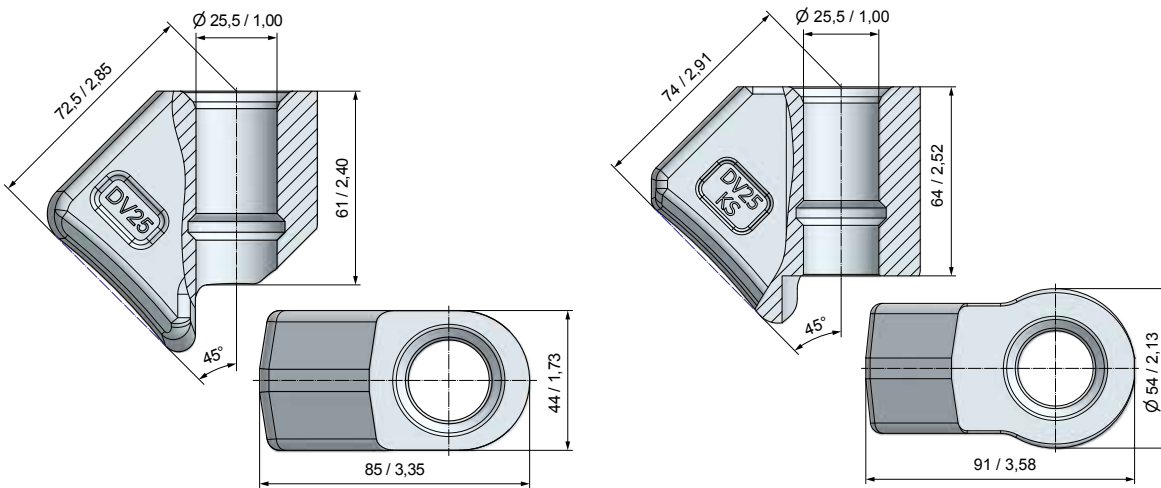


■ BTK16
BG25K-60.3364 

■ BTK87
BG25K-68.4264 

■ BTK26
BG25K-69.4464 

► SHANK SYSTEM – Ø 25,5 MM/1"



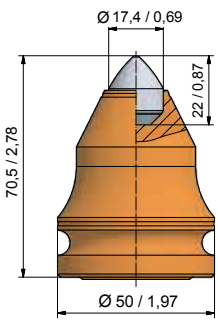
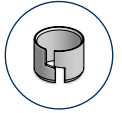
■ BHR31
DV25 


■ BHR121
DV25KS 

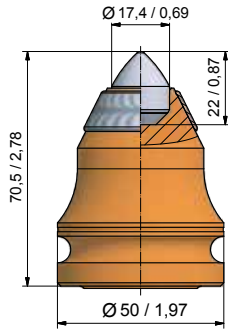



ROUND SHANK CUTTER BITS

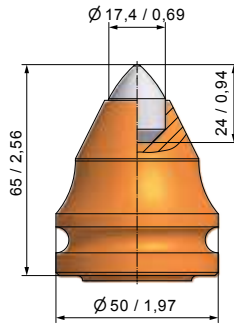
▶ SHANK SYSTEM – Ø 38/30 MM – 1,5/1,18"




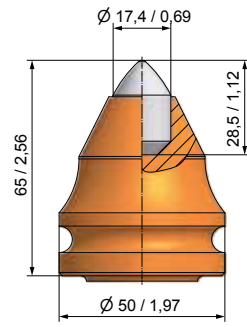
■ **BKH110**
BS38H-17.5070A 



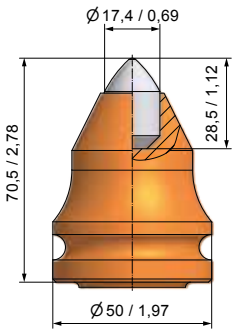
■ **BKH110P**
BS38H-17.5070AP 



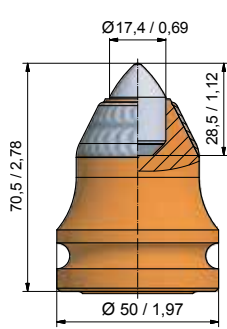
■ **BKH140**
B47K17.5-H/2 



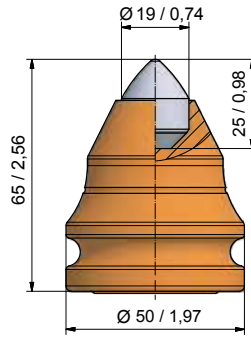
■ **BKH28**
BS38H-17.5065 



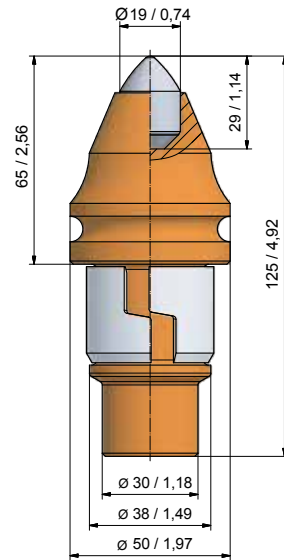
■ **BKH80**
B47K17.5LK70-H 




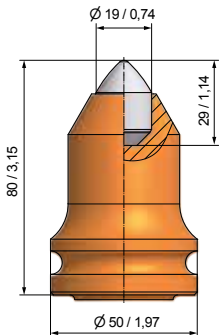
■ **BKH80/P**
B47K17.5LK70-HP 




■ **BKH83**
BS38H-19.5065 



■ **BKH40**
BS38H-19.5065 

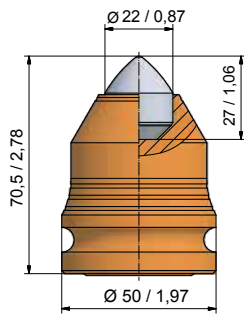


■ **BKH41**
B47K19LK80-H 

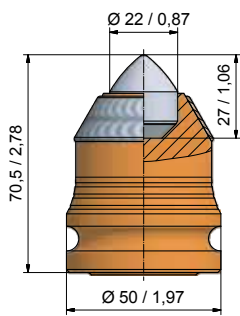
ROUND SHANK CUTTER BITS



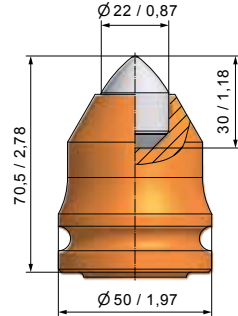
> SHANK SYSTEM – Ø 38/30 MM – 1,5/1,18"



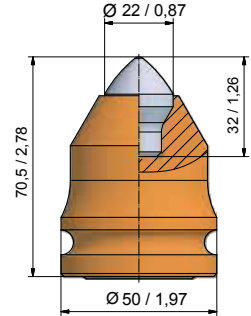
▪ **BKH105**
BS38H-22.5070B



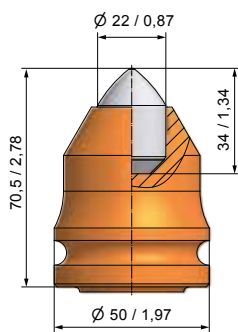
▪ **BKH105/P**
BS38H-22.5070P



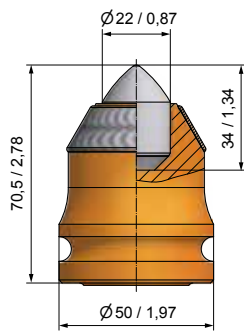
▪ **BKH85**
BS38H-22.5070



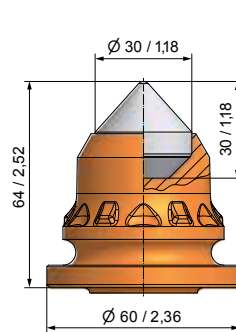
▪ **BKH130**
BS38H-73.5070



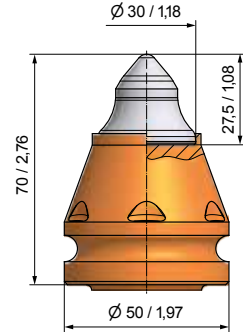
▪ **BKH47**
B47K22-H



▪ **BKH47P**
B47K22-HP



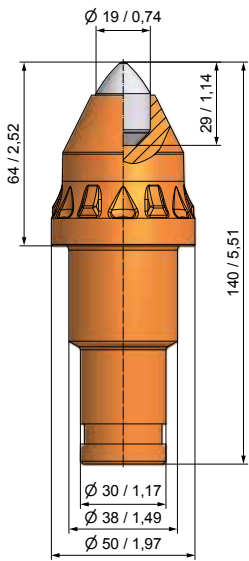
▪ **BKH92**
BS38H-30.6064



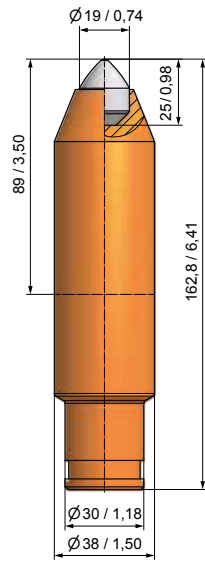
▪ **BKH101**
BS38H-69.5070



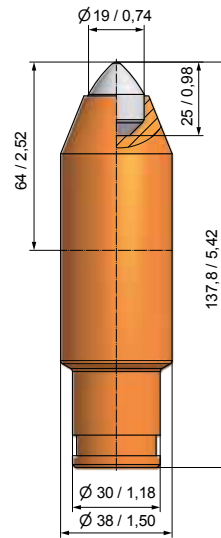
► SHANK SYSTEM – Ø 38/30 MM – 1,5/1,18"



■ **BKS154**
BS38W-19.5064

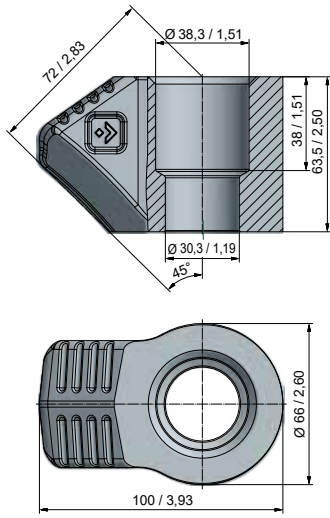


■ **BKS186**
BS38W-19.3889

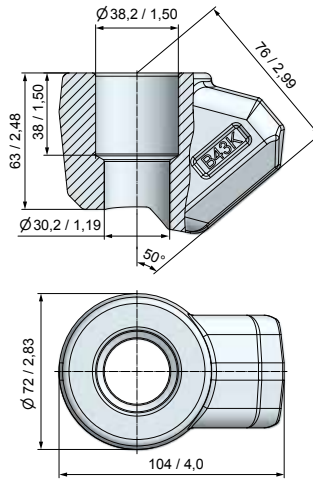


■ **BKS187**
BS38W-19.3864

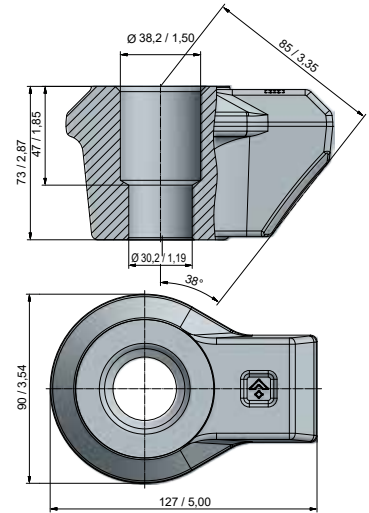
> SHANK SYSTEM – Ø 38/30 MM – 1,5/1,18"



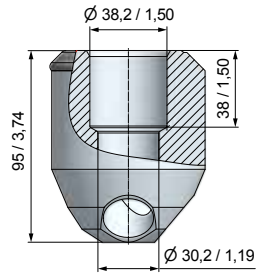
■ BHR38
B43H



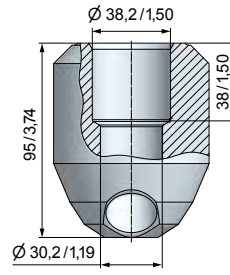
■ BHR113
B43K



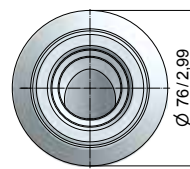
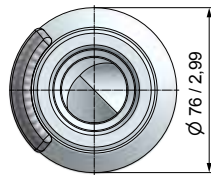
■ BHR77
B320



■ BHR163
B76/P

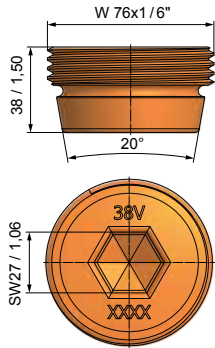


■ BHR216
B76



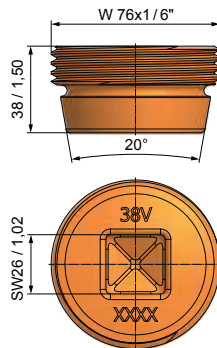


SCREW CONNECTIONS



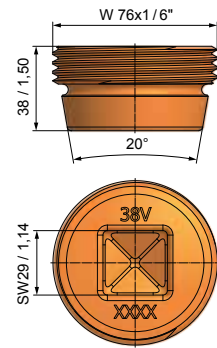
■ BRV08

BRV75/38LV



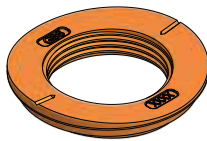
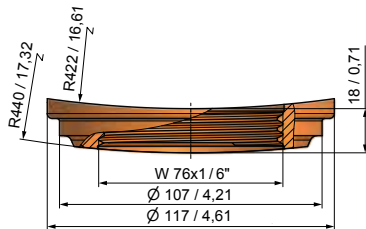
■ BRV10

BRV75/38LV/4



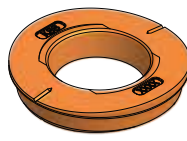
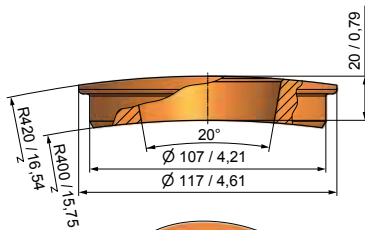
■ BRV23

BRV75/38LV/4/29



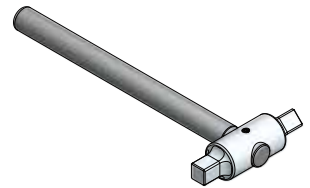
■ BRV02

BRV-G88/L



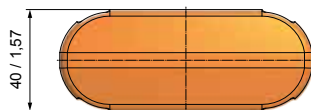
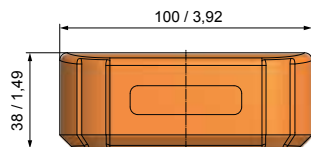
■ BRV03

BRV-K88/L



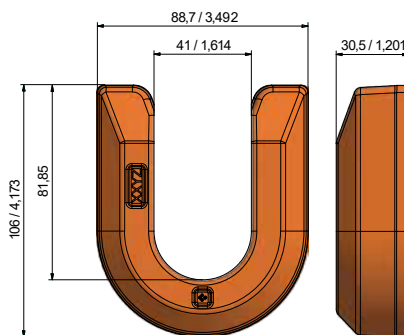
■ BRV35

BRVSW29



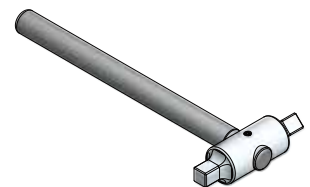
■ BRV32

BRV-AK



■ BRV49

BRV106x89x31

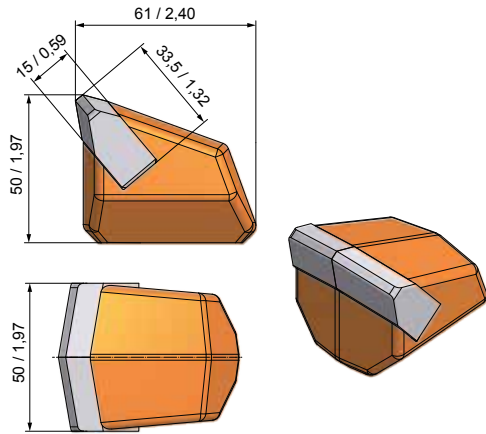


■ BRV34

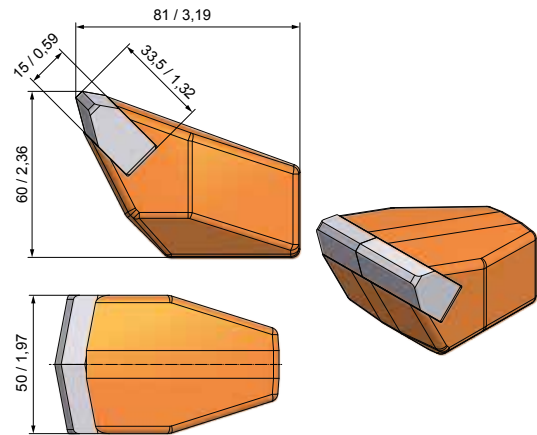
BRVSW26

DESCRIPTION	APPLICATION/INFO	ART-NO
Casing screw connections for walls 30 mm thick		
BRV-G46-14	d=460	BRV19
BRV-K46-14	d=460	BRV18
BRV60/29/4	–	BRV20
Casing screw connections for walls 40 mm thick		
BRV-G64/B	d=620 – 640	BRV04
BRV-K64/B	d=620 – 640	BRV05
BRV-G64/L	d=620 – 640	BRV14
BRV-K64/L	d=620 – 640	BRV15
BRV-G88/L	d=880	BRV02
BRV-K88/L	d=880	BRV03
BRV-G118/L	d=1180	BRV06
BRV-K118/L	d=1180	BRV07
BRV-G150/L	d=1500 – 1800	BRV12
BRV-K150/L	d=1500 – 1800	BRV11
BRV-G80-100-B	d=800 – 1000	BRV30
BRV-K80-100-B	d=800 – 1000	BRV31
BRV75/38LV	(6kt.SW27)	BRV08
BRV75/38LV/4	(4kt.SW26)	BRV10
BRV75/37/12°/BV	–	BRV16
BRV75/38LV/4	(4kt.SW29)	BRV23
O-Ring 5x60	–	SI116
Casing screw connections for walls 50 mm thick		
BRV75/48/4	–	BRV17
BRV-G140-23	d=1400 – 1500	BRV21
BRV-K140-24,5	d=1400 – 1500	BRV22
Others		
BRV-AK	Stop wedges	BRV32
BRV106x89x31	Locking for BRV32	BRV49

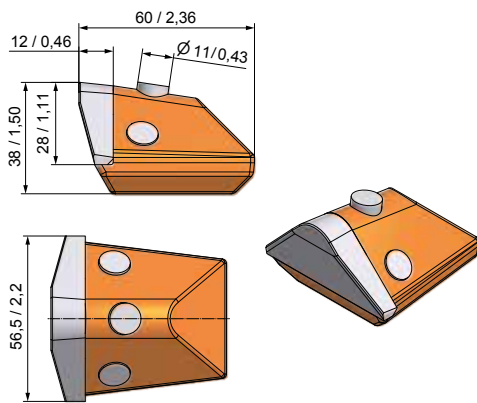
SCRAPER BLADES




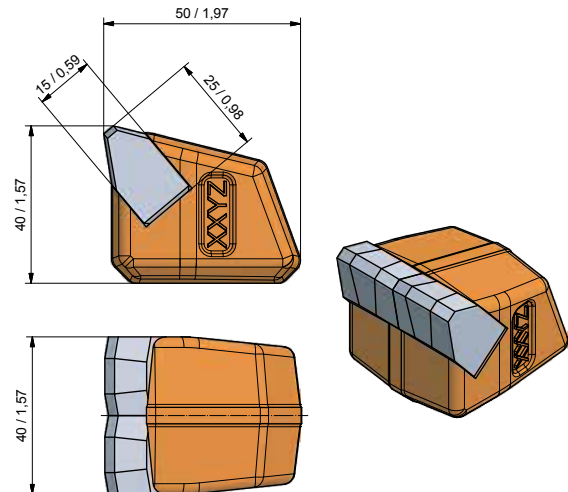
• **BFZ51**
BFZ51 



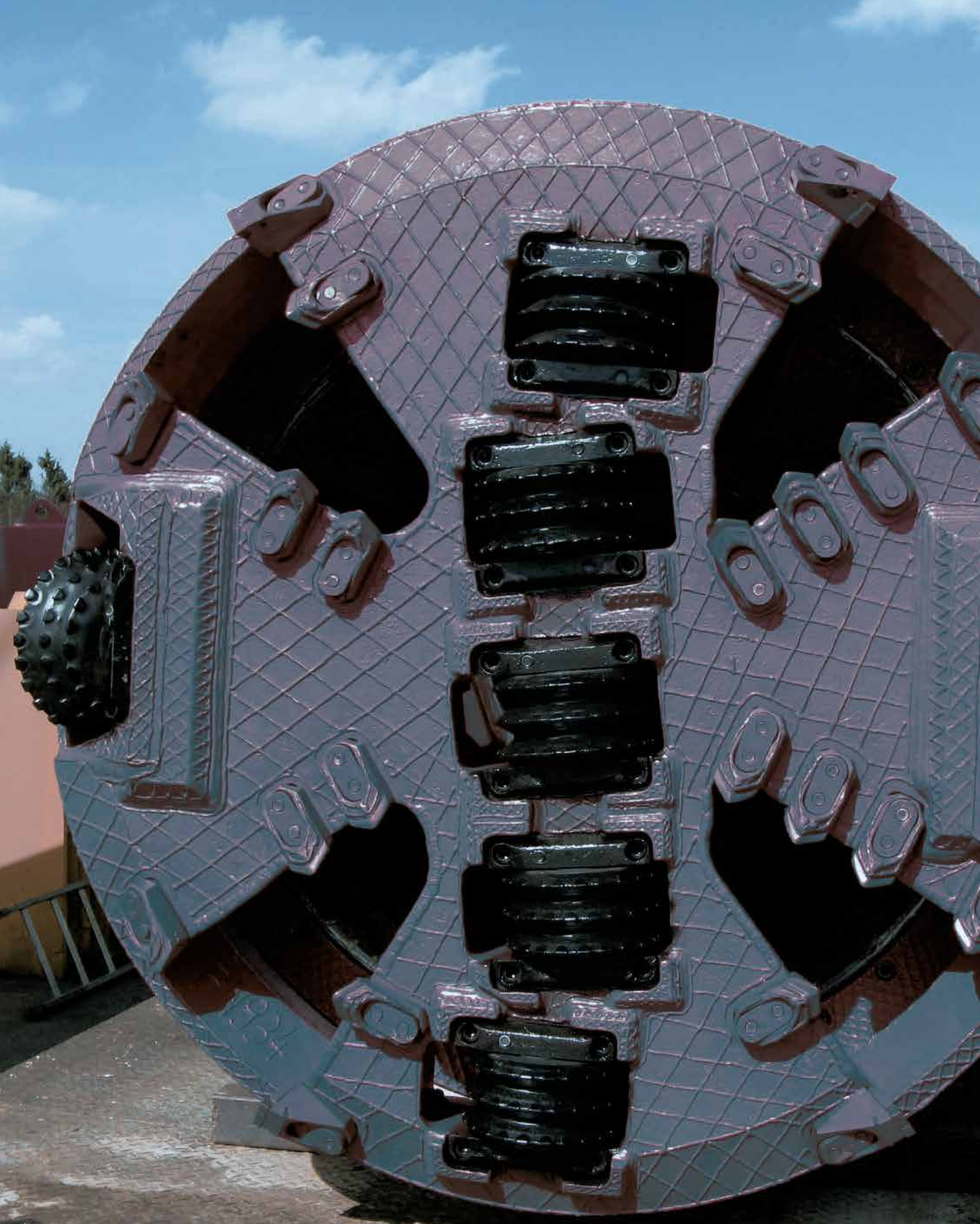
• **BFM08**
BFM112x50/S 



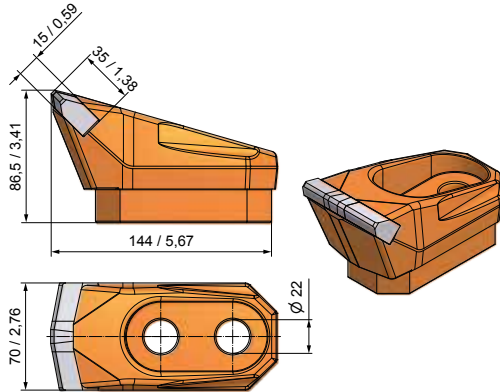
• **BFZ163**
BFZ56 



• **BFZ362**
BFZ50x40x40 

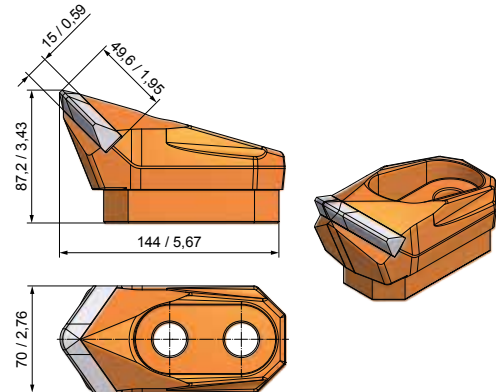


SCRAPER BLADES



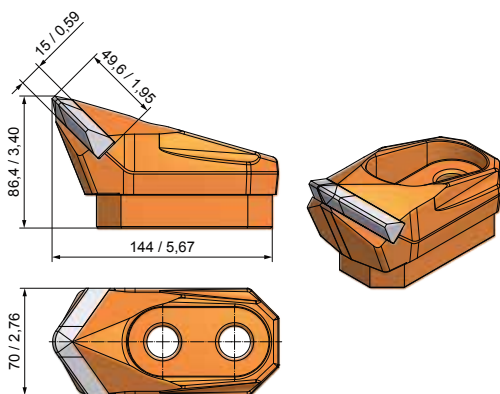
■ **BFM07**

BFM144x70



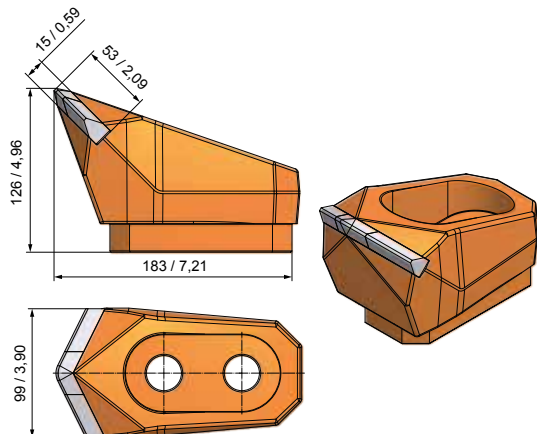
■ **BFM16**

BFM144x86x70



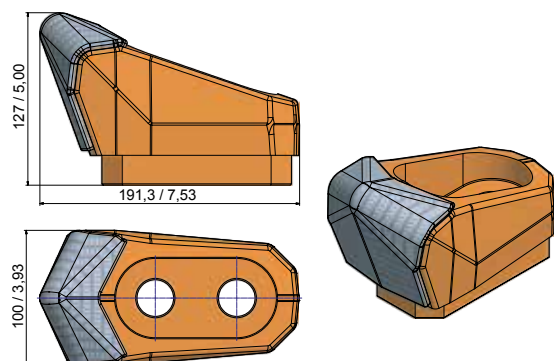
■ **BFM70**

BFM144x86x70/1



■ **BFM71**

BFM183x126x100

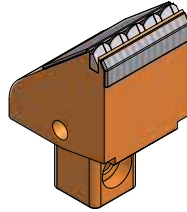
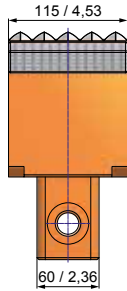
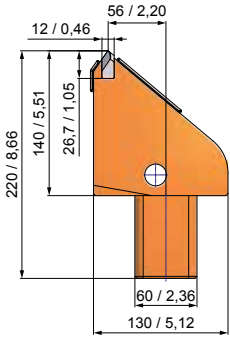


■ **BFM102**

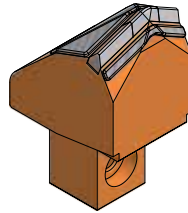
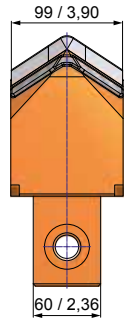
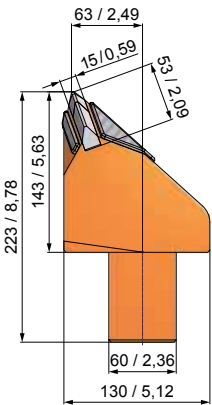
BFZ191x127x100



SCRAPER BLADES FOR TBM



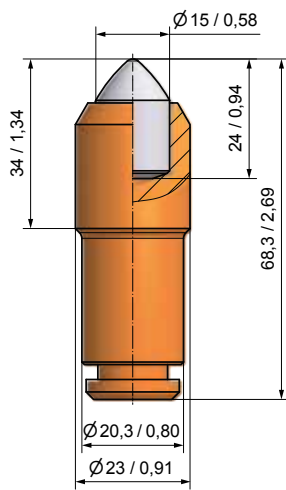
■ **BFZ280**
BFZ220x115



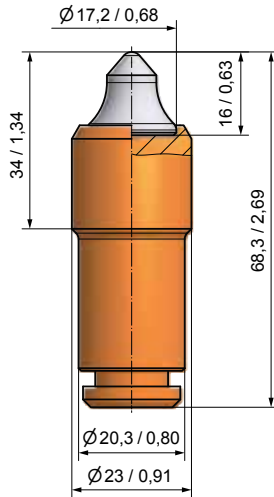
■ **BFZ275**
BFZ222,5x100




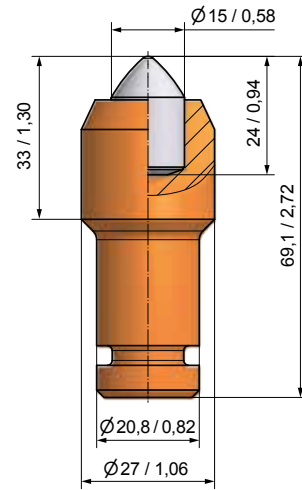
HDD TOOLS



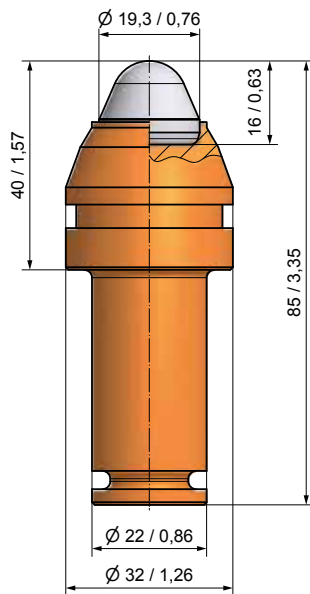
■ **BSR187**
BG20X-15.2334 



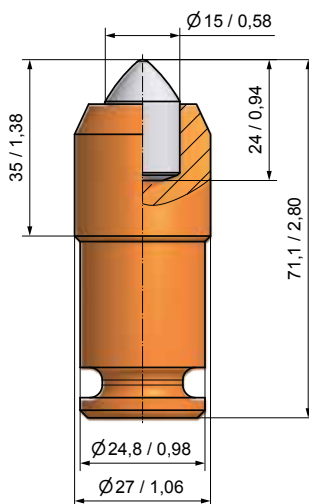
■ **BSR186**
BG20X-62.2334 



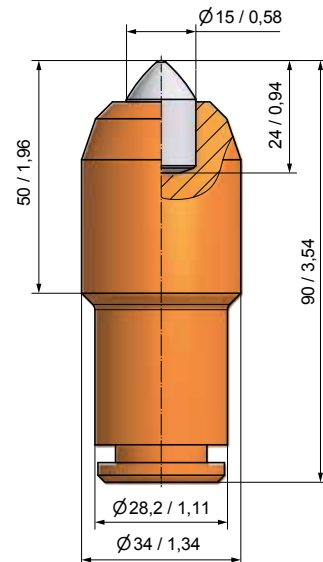
■ **BSR93**
BG21X-15.2733 



■ **BC80**
BG22X-19.3240 



■ **BSR115**
BG25F-15.2735 



■ **BSR110**
BG28F-15.3450 



ACCESSORIES



■ **BZ44**
Bit extractor for Mini bit



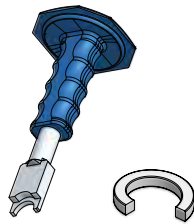
■ **BZ42**
Bit extractor for BSH on BC-Series



■ **BZ43**
Bit extractor for BSH, BC and BSK-Series



■ **BZ38**
Wedge puller for shaft diameter 20-25



■ **BZ33**
Assembly tool for SI36



■ **BZ31**
Disassembly tool for SI36



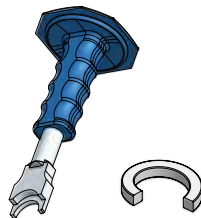
■ **BZ41**
Assembly tool for SI26



■ **BZ32**
Disassembly tool for SI26



■ **BZ22**
Bit puller for BTK-Series



■ **BZ37**
Assembly tool for SI216



■ **BZ36**
Disassembly tool for SI216



■ **BZ05**
Bit puller for head diameter 60



■ **BZ35**
Assembly tool for SI239



■ **BZ34**
Disassembly tool for SI239



■ **BZ39**
Wedge puller for
shaft diameter 30-38



■ **SRZ02**
Plier for SR83/1, SR81, SR65,
SR61, SR56 and SR54



■ **BZ12**
Bit puller for BKH-Series



■ **BZ18**
Bit puller with copper
disk for BKH-Series



■ **BZ16**
Bit extractor for Roll
pin with diameter 10



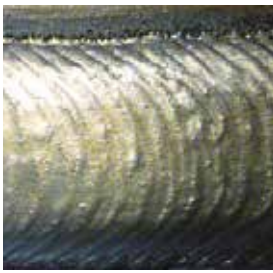
■ **BZ30**
Bit extractor for Roll
pin with diameter 16



■ **BZ40**
Wedge puller for
stepshank 43/35

FLEXIBLE WEAR PROTECTION

> BeCoat® HARDFACING TYPES



FeCr
hardfacing



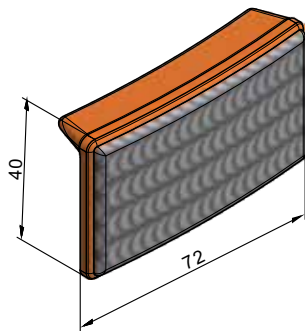
NiCr + FTC
hardfacing



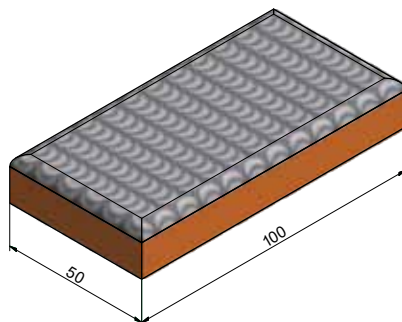
TC grit
hardfacing

> BeCoat® ADVANTAGES

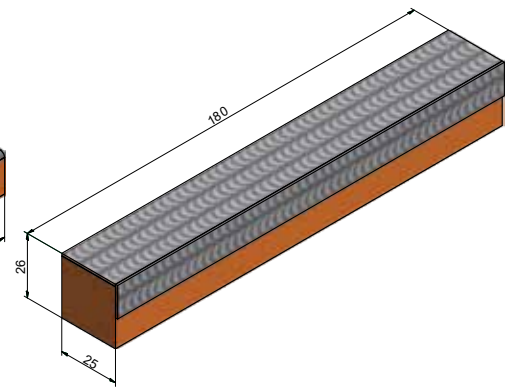
- Cost reduction due to less downtime
- Coating thickness ≤ 6mm
- Evenly distributed fused tungsten carbide (FTC) and low dilution
- Engineering and consulting
- Proven to withstand even the harshest environments



• **BA73**
BA72x40x17 



• **BBM386**
BBM100x50x16 



• **BBM391**
BBM180x26x26 

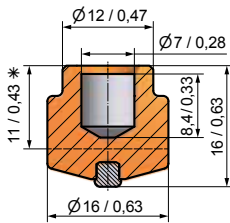


EXTENSIVE WEAR PROTECTION

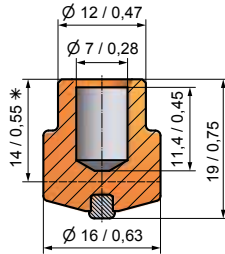


► OVERVIEW

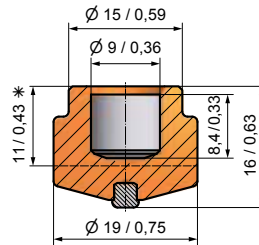
Betek can provide the appropriate stud welding machine for the TungStuds wear protection system.



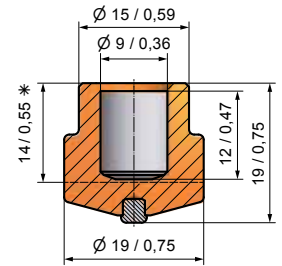
■ **BTS01** BTSD16/16 



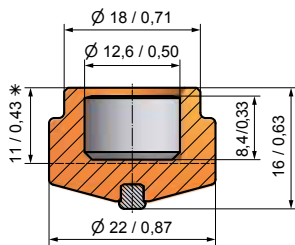
■ **BTS02** BTSD16/19 



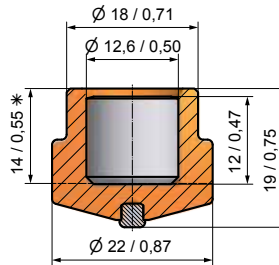
■ **BTS03** BTSD19/16 



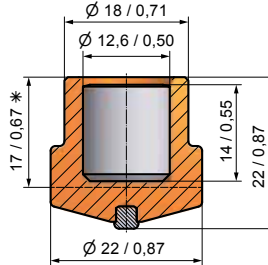
■ **BTS04** BTSD19/19 



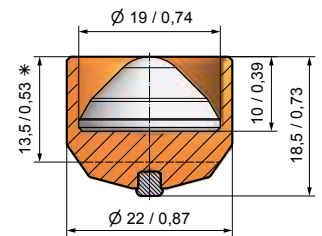
■ **BTS05** BTSD22/16 



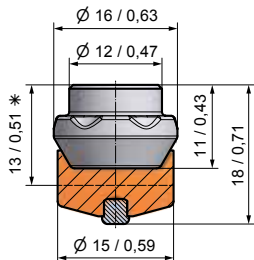
■ **BTS06** BTSD22/19 



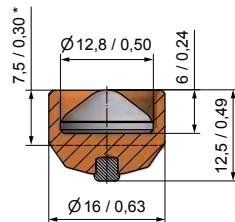
■ **BTS07** BTSD22/22 



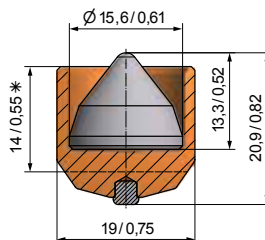
■ **BTS08** BTSD22/18,5SG 



■ **BTS10B** BTSD16/18B 



■ **BTS20** BTSD16/12,5SG 

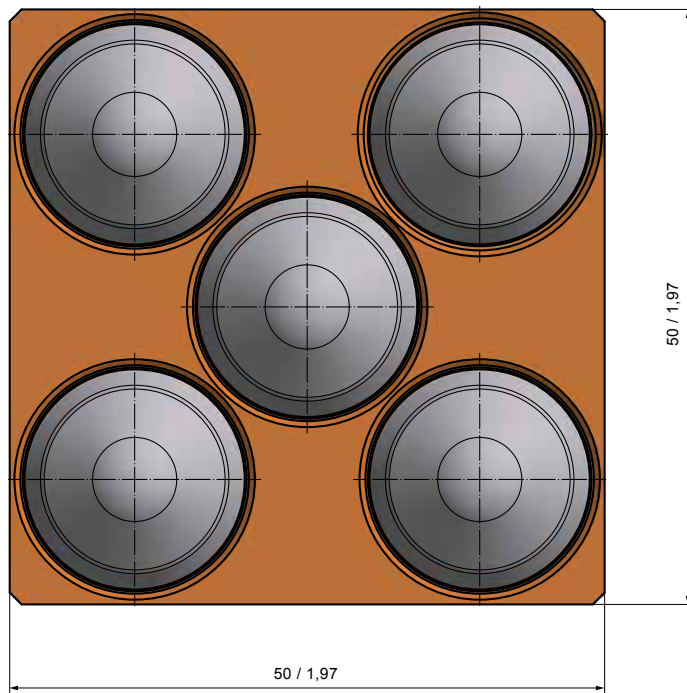
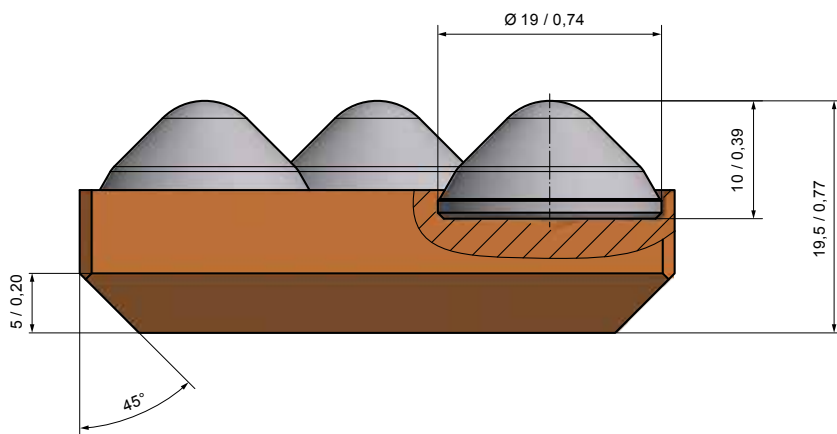


■ **BTS100** BTSD19/15,6SG 

*Height after welding

EXTENSIVE WEAR PROTECTION

► BTS-PLATES



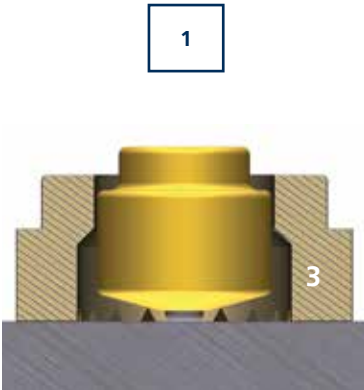
DIMENSIONS

Width in mm	Length in mm
50	50
75	75
100	100
125	125
150	150

Other sizes on request

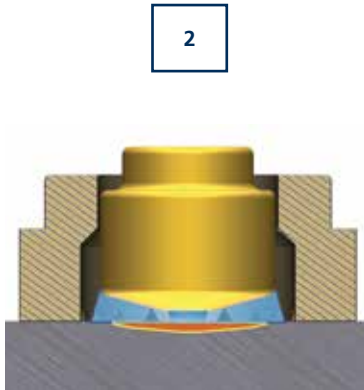
WELDING PROCESS

1



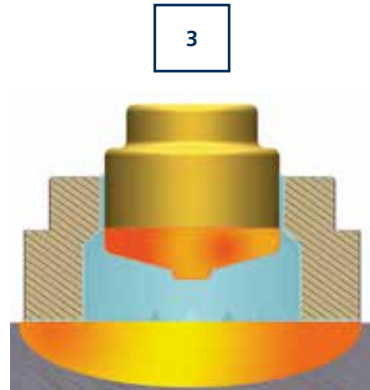
- The TungStud should be placed on the steel surface
- The ceramic ferrule protects the welding area around

2



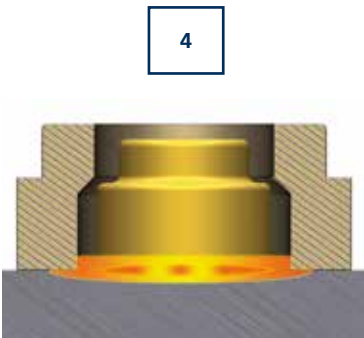
- Current flow is applied
- The TungStud raises up as soon as the arc ignites

3



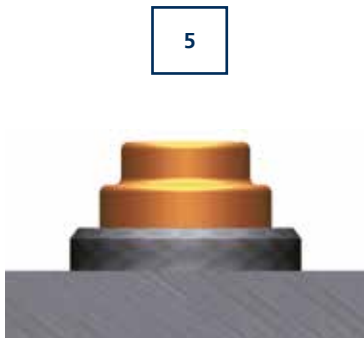
- The arc causes a specific melting of the TungStud and the steel surface

4



- The TungStud plunges into the melted steel surface

5



- The welding connection between TungStud and steel surface is completed

BENEFITS

- Wear resistant thanks to the carbide core
- Quick welding process
- Suitable for uneven surfaces
- Simply replaceable
- Less maintenance > Higher productivity
- Less downtime > Cost reduction

PERFORMANCE

› CUTTING WEAR PROTECTION

- Grid pattern is recommended
- Cutting wear protection due to the conical carbide shape

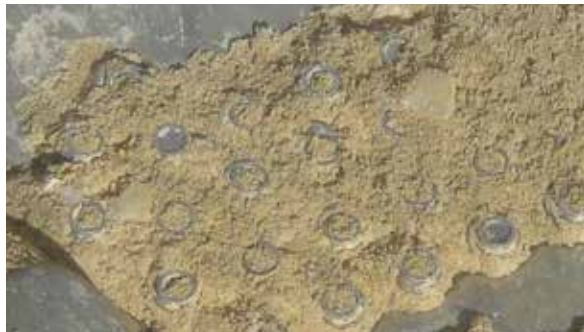
EXTENSIVE WEAR PROTECTION



› ROCK BOX EFFECT

- Grid pattern is recommended
- Rock-Box-Effect due to the cylindrical carbide shape

EXTENSIVE WEAR PROTECTION



APPLICATION



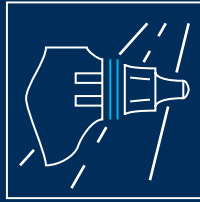








➤ BETEK



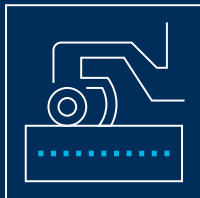
SURFACE TECHNOLOGIES

- ROAD MILLING
- SURFACE MINING
- STABILISING



UNDERGROUND TECHNOLOGIES

- FOUNDATION DRILLING
- MINING
- TRENCHLESS
- TRENCHING
- TUNGSTUDS
- DRUM CUTTERS



ENVIRONMENTAL TECHNOLOGIES

- AGRICULTURE
- GRADER TOOLS
- FORESTRY & RECYCLING



INDUSTRIAL TECHNOLOGIES

- CRUSHING & MIXING
- TUNGSTEN CARBIDE
- RAIL TRACK CONSTRUCTION
- INDUSTRIAL SOLUTIONS

Service number
+49 (0) 7422. 565-0

info@betek.de
www.betek.de